



T.O. 1F-51D-4
(Formerly AN 01-60JE-4)

PARTS CATALOG

USAF SERIES

F-51D, TF-51D AND F-51K
AIRCRAFT

REVISION
NOTICE

**LATEST REVISED PAGES SUPERSEDE
THE SAME PAGES OF PREVIOUS DATE**

Insert revised pages into basic
publication. Destroy superseded pages.

PUBLISHED UNDER AUTHORITY OF THE SECRETARY OF THE AIR FORCE
AND THE CHIEF OF THE BUREAU OF AERONAUTICS



Reproduction for non-military use of the information or illustrations contained in this publication is not permitted without specific approval of the issuing service (BuAer or USAF). The policy for use of Classified Publications is established for the Air Force in AFR 205-1 and for the Navy in Navy Regulations, Article 1509.

LIST OF REVISED PAGES ISSUED

INSERT LATEST REVISED PAGES. DESTROY SUPERSEDED PAGES.

NOTE: The portion of the text affected by the current revision is indicated by a vertical line in the outer margins of the page.

Page No.	Date of Latest Revision	Page No.	Date of Latest Revision	Page No.	Date of Latest Revision
*A	29 October 1954	40B	15 June 1952	100F	15 June 1952
*B	29 October 1954	*41	29 October 1954	101	15 June 1952
i	15 June 1952	*43	29 October 1954	102A	15 June 1952
ii	15 May 1953	47	17 September 1951	102B	15 June 1952
iii	15 June 1952	*48	29 October 1954	102C	15 June 1952
1	15 June 1952	*49	29 October 1954	102D	15 June 1952
4	15 June 1952	54	17 September 1951	103	15 June 1952
*5	29 October 1954	*55	29 October 1954	106A	15 June 1952
6	15 June 1952	56	15 May 1953	106B	15 June 1952
6A	15 June 1952	*56A	29 October 1954	106C	15 June 1952
12	9 November 1945	*56B	29 October 1954	106D	15 June 1952
12A	9 November 1945	*57	29 October 1954	106E	15 June 1952
12B	15 May 1953	*58	29 October 1954	106F	15 June 1952
12C	15 June 1952	*58A	29 October 1954	106G	15 June 1952
12D	15 June 1952	58B	15 June 1952	106H	15 June 1952
12E	15 June 1952	58C	15 June 1952	107	15 June 1952
12F	15 June 1952	58D	15 June 1952	108A	15 May 1953
13	15 June 1952	59	15 June 1952	108B	15 June 1952
16	9 November 1945	60	9 November 1945	109	15 June 1952
17	15 June 1952	61	15 June 1952	112	15 May 1953
18	15 May 1953	62	9 November 1945	119	15 May 1953
20	9 November 1945	63	15 May 1953	120	15 May 1953
20A	9 November 1945	66	15 June 1952	122	31 May 1949
20B	9 November 1945	68	9 November 1945	124	12 April 1946
20C	9 November 1945	73	15 May 1953	126	15 May 1953
20D	9 November 1945	74	15 May 1953	132	9 November 1945
21	15 May 1953	74A	15 May 1953	133	15 May 1953
22	15 June 1952	74B	15 June 1952	*134	29 October 1954
23	15 May 1953	75	15 June 1952	*135	29 October 1954
25	15 May 1953	80	27 January 1948	*137	29 October 1954
*26	29 October 1954	85	15 May 1953	138	15 May 1953
*26A	29 October 1954	86A	15 May 1953	138A	15 May 1953
26B	15 June 1952	86B	15 June 1952	138B	15 June 1952
27	15 June 1952	86C	15 June 1952	138C	15 June 1952
*32	29 October 1954	86D	15 June 1952	138D	15 June 1952
*32A	29 October 1954	86E	15 June 1952	138E	15 June 1952
32B	15 June 1952	86F	15 June 1952	138F	15 June 1952
32C	15 June 1952	86G	15 June 1952	138G	15 June 1952
32D	15 June 1952	86H	15 June 1952	138H	15 June 1952
32E	15 June 1952	87	15 June 1952	139	15 June 1952
32F	15 June 1952	88	15 May 1953	140	9 November 1945
33	15 June 1952	88A	15 May 1953	*141	29 October 1954
34A	15 June 1952	88B	15 May 1953	142	15 May 1953
34B	15 June 1952	91	2 November 1951	143	15 May 1953
35	15 June 1952	92A	15 June 1952	145	15 May 1953
36A	15 June 1952	92B	15 June 1952	149	15 May 1953
36B	15 June 1952	92C	15 June 1952	150A	15 May 1953
36C	15 June 1952	92D	15 June 1952	150B	15 June 1952
36D	15 June 1952	93	15 June 1952	150C	15 June 1952
36E	15 June 1952	100	9 June 1948	150D	15 June 1952
36F	15 June 1952	100A	15 June 1952	150E	15 June 1952
37	15 June 1952	100B	15 June 1952	150F	15 June 1952
39	15 May 1953	100C	15 June 1952	150G	15 June 1952
40	15 May 1953	100D	15 June 1952	150H	15 June 1952
40A	15 June 1952	100E	15 June 1952	150J	15 June 1952

* The asterisk indicates pages revised, added or deleted by the current revision.

ADDITIONAL COPIES OF THIS PUBLICATION MAY BE OBTAINED AS FOLLOWS:

USAF ACTIVITIES.—In accordance with Technical Order No. 00-5-2.

NAVY ACTIVITIES.—Submit request to nearest supply point listed below, using form NavAer-140: NASD, Philadelphia, Pa.; NAS, Alameda, Calif.; NAS, Jacksonville, Fla.; NAS, Norfolk, Va.; NAS, San Diego, Calif.; NAS, Seattle, Wash.; ASD, NSC, Guam.

For listing of available material and details of distribution see Naval Aeronautics Publications Index NavAer 00-500.

LIST OF REVISED PAGES ISSUED (Continued)

<i>Page No.</i>	<i>Date of Latest Revision</i>	<i>Page No.</i>	<i>Date of Latest Revision</i>
150K	15 June 1952	193	15 May 1953
151	15 June 1952	*194	29 October 1954
152	15 May 1953	195	15 May 1953
152A	15 May 1953	196	15 May 1953
152B	15 May 1953	*197	29 October 1954
152C	15 May 1953	198	15 May 1953
152D	15 May 1953	199	15 May 1953
154	15 March 1950	*200	29 October 1954
154A	15 May 1953	*200A	29 October 1954
154B	15 March 1950	200B	15 May 1953
155	15 March 1950	201	15 May 1953
156 Deleted	15 March 1950	*202	29 October 1954
*160	29 October 1954	*203	29 October 1954
161	15 May 1953	204	15 May 1953
162A	15 June 1952	204A	15 June 1952
162B	15 June 1952	*204B	29 October 1954
162C	15 June 1952	204C	15 May 1953
162D	15 June 1952	204D	15 June 1952
163	15 June 1952	205	15 June 1952
*165	29 October 1954	206	15 June 1952
*166	29 October 1954	207	15 June 1952
*166A	29 October 1954	208	15 June 1952
166B	15 June 1952		
167	15 June 1952		
168A	15 June 1952		
168B	15 June 1952		
168C	15 June 1952		
168D	15 June 1952		
169	15 June 1952		
170A	15 May 1953		
170B	15 June 1952		
170C	15 May 1953		
170D	15 May 1953		
171	15 May 1953		
172A	15 June 1952		
172B	15 June 1952		
173	15 June 1952		
174	15 March 1950		
174A	15 March 1950		
174B	15 March 1950		
174C	15 March 1950		
174D	15 March 1950		
174E	15 March 1950		
174F	15 March 1950		
174G	15 May 1953		
174H	15 March 1950		
174J	15 March 1950		
174K	15 March 1950		
174L	15 March 1950		
174M	15 March 1950		
174N	15 March 1950		
*176	29 October 1954		
*177	29 October 1954		
*178	29 October 1954		
178A Deleted	15 June 1952		
178B Deleted	15 June 1952		
*179	29 October 1954		
180	15 May 1953		
180A Deleted	15 June 1952		
*181	29 October 1954		
182	15 May 1953		
182A	15 May 1953		
182B	15 May 1953		
183	15 June 1952		
184	15 June 1952		
185	15 June 1952		
*186	29 October 1954		
*187	29 October 1954		
188	15 May 1953		
189	15 May 1953		
190	15 May 1953		
191	15 May 1953		
192	15 May 1953		

ALPHABETICAL LIST OF VENDORS

Introduction

A			
AC SPARK PLUG	AC Spark Plug Division (General Motors Corporation) Flint, Michigan	CLAROSTAT	Clarostat Manufacturing Co., Inc. 285-287 North Six Street Brooklyn, New York
ACRO	Acro Electric Company 3144 Fulton Road Cleveland, Ohio	COLE	Cole Electric Company 1510 South Los Angeles St. Los Angeles, California
ACTUS	Actus Products Corporation Mount Vernon, New York	CUTLER-HAMMER	Cutler-Hammer, Inc. 315 North 12th Street Milwaukee, Wisconsin
ADEL	Adel Precision Products Corp. 10555 Van Owen Blvd. Burbank, California	D	
AERO SUPPLY	Aero Supply Manufacturing Co., Inc. 611 West Main Street Corry, Pennsylvania	DAYTON AIRCRAFT	Dayton Aircraft Products Co. 340 Xenia Dayton, Ohio
AEROPRODUCTS	Aeroproducts Division (General Motors Corporation) Dayton, Ohio	DELCO APPLIANCE	Delco Appliance Division (General Motors Corporation) 391 Lyell Avenue Rochester, New York
AEROQUIP	Aeroquip Corporation Jackson, Michigan	DELRON	Delron Co., Inc., The 5224 Southern Ave. South Gate, California
AIR ASSOCIATES	Air Associates Inc. 3214 Love Field Drive Dallas, Texas	DEUTSCH	The Deutsch Company (Formerly American Screw Prod.) 7000 Avalon Blvd. Los Angeles, California
AIRCRAFTSMEN	The Aircraftsmen Company 223 Hindry Avenue Inglewood, California	DEYSTONE	Deystone Tool & Supply Co. Los Angeles, California
AIRCRAFT RADIO	Aircraft Radio Company Boontown, New Jersey	DIAMOND	Diamond Chain and Manufacturing Co. Indianapolis, Indiana
AMERICAN INSULATOR	American Insulator Company 1930 Main Street New Freedom, Pennsylvania	DILL	The Dill Manufacturing Co. 700 East 82nd Street Cleveland 3, Ohio
AMERICAN SEATING	American Seating Company Grand Rapids, Michigan	DURO	The Duro Company Dayton, Ohio
B		DZUS	Dzus Fastener Company, Inc. Babylon, Long Island New York
BARNES	Ralph Barnes Company 6518 Avalon Boulevard Los Angeles, California	E	
BENDIX	Bendix Products Division (Bendix Aviation Corporation) South Bend, Indiana	ECLIPSE	Eclipse Aviation Accessories Eclipse-Pioneer Division (Bendix Aviation Corporation) Teterboro, New Jersey
BOSTON	Boston Auto Gage Company 70 West Street Pittsfield, Massachusetts	EDISON	Thomas A. Edison Co. Instrument Division West Orange, New Jersey
BOSTON GEAR	Boston Gear Works, Inc. (Bendix Aviation Corporation) North Quincy, Massachusetts	ELASTIC	Elastic Stop Nut Corporation 2330 Vauxhall Road Union, New Jersey
BREEZE	Breeze Corporation, Inc. Newark, New Jersey	F	
BUSSMAN	Bussman Manufacturing Company 2538 West University Street St. Louis, Missouri	FAFNIR	Fafnir Bearing Company New Britain, Connecticut
C		FAIRCHILD	Fairchild Camera and Instrument Corp. Jamaica, New York
CANNON	Cannon Electric Development Co. and Cannon Manufacturing Corp. 3209 Humboldt Street Los Angeles, California	FEDERAL	Federal Bearings Company, Inc. Poughkeepsie, New York
CENTRALAB	Centralab Incorporated 900 East Kuefe Avenue Milwaukee, Wisconsin	FIX	George J. Fix Company 2413 Commerce Street Dallas, Texas
CHAPIN	Charles E. Chapin Company East Rutherford, New Jersey	FORMICA	Formica Insulation Company 4614 Spring Grove Avenue Cincinnati 32, Ohio
CHRYSLER	Chrysler Corporation (Amplex Division) Detroit, Michigan	G	
CLARE	C. P. Clare Company 4719 West Sunnyside Avenue Chicago, Illinois	GARLOCK	Garlock Packing Company 402 Main Street Palmyra, New York
		GLASS CONTAINERS	Glass Containers, Inc. 3601 Santa Fe Avenue Los Angeles, California
		GOODRICH	The B. F. Goodrich Company Akron, Ohio

**Section I
Introduction**

AN 01-60JE-4

ALPHABETICAL LIST OF VENDORS

GOODYEAR Goodyear Tire and Rubber Co., Inc.
1144 East Market Street
Arkon 16, Ohio

GRIMES Grimes Manufacturing Company
515 North Russell Street
Urbana, Ohio

GROOV-PIN Groov-Pin Corporation
Union City, New Jersey

H

HADDON A. Haddon Company
14529 Hawthorne Avenue
Lawndale, California

HAMILTON Hamilton Standard Propellers Div.
(United Aircraft Corporation)
East Hartford, Connecticut

HARRISON Harrison Radiator Division
(General Motors Corporation)
Lockport, New York

HARTMAN Hartman Electric Company
Mansfield, Ohio

HUBER Huber Engineering Company
17 East Central Parkway
Cincinnati, Ohio

HUGHES Hughes Aircraft Company
(Armament Division)
7000 Romaine Street
Hollywood, California

HYDROPACK Hydpack
5717 South Hoover Street
Los Angeles, California

I

INDUSTRIAL Industrial Products Company
Danbury, Connecticut

K

KILIAN Kilian Manufacturing Corporation
1728 Burnet Avenue
Syracuse, New York

KOEHLER Koehler Aircraft Products Co.
814 Vermont Avenue
Dayton, Ohio

L

LEACH Leach Relay Company
5915 Avalon Blvd.
Los Angeles, California

LEAR Lear Incorporated
110 Ionia Avenue N.W.
Grand Rapids 2, Michigan

LELAND Geo. H. Leland
Dayton, Ohio

LIBERTY Liberty Division
(Libby-Owens-Ford Glass Co.)
Brackenridge, Pennsylvania

LIQUIDOMETER Liquidometer Corporation
36th Street and Skilman Ave.
Long Island City 1, New York

LORD Lord Manufacturing Company
Erie, Pennsylvania

LINK Link-Belt Company
307 North Michigan Avenue
Chicago 1, Illinois

LITTELFUSE Littelfuse Incorporated
200 Ong Street
El Monte, California, or
4757 Ravenswood Avenue
Chicago 40, Illinois

M

MALLORY P. R. Mallory and Company, Inc.
3029 East Washington Street
Indianapolis, Indiana

MARQUETTE Marquette Metal Products Co.
Division of Curtis-Wright Corp.
1145 Galewood Drive
Cleveland 10, Ohio

MICRO SWITCH Micro Switch Corporation
Freeport, Illinois

MINNEAPOLIS-HONEYWELL Minneapolis-Honeywell Regulator Co.
Aeronautical Division
725 34th Avenue South
Minneapolis 8, Minnesota

MINNESOTA MINING Minnesota Mining & Manufacturing Co.
900 Fauquier Street
St. Paul 6, Minnesota

MONOWATT The Monowatt Electric Corp.
Providence, Rhode Island

N

NAA North American Aviation, Inc.
5601 West Imperial Highway
Inglewood, California

NATIONAL National Lock Company
1902 Seventh St.
Rockford, Illinois

NORMA-HOFFMAN Norma-Hoffman
Stamford, Connecticut

NUTI SHEL Nutt Shel Company
1240 West Pico Street
Los Angeles, California

O

OHIO Ohio Carbon Company
12508 Berea Road
Cleveland, Ohio

P

PACIFIC Pacific Division
(Bendix Aviation Corp.)
North Hollywood, California

PACKARD Packard Motor Car Company
1580 East Grand Blvd.
Box 117, Detroit 32, Michigan

PARKER Parker Appliance Company
17325 Euclid Avenue
Cleveland, Ohio

PAUL HENRY The Paul Henry Company
2037 South La Cienega Blvd.
Los Angeles, California

PESCO Pesco Products Company
(Division Borog-Warner)
11610 Euclid Avenue
Cleveland 6, Ohio

PUBCO Public Service Brass Corp.
2901 East Slauson Avenue
Huntington Park, California

PUROLATOR Purolator Products, Inc.
Newark 5, New Jersey

R

RAYNOR The Raynor Company
7270 Beverly Blvd.
Los Angeles 36, California

ROBERTSHAW Robertshaw Thermostat Company
Youngwood, Pennsylvania

AN 01-60JE-4

TAIL GROUP

HORIZONTAL AND VERTICAL STABILIZER ASSEMBLIES

FIGURE & INDEX NUMBER	PART NUMBER	1	2	3	4	5	6	7	NOMENCLATURE	USAGE CODE	UNITS PER ASSY
	73-21001-200	*							Stabilizer Assy—Horizontal (See figure 5-41)	(A-GB, J-NA)	Ref
	73-21001-300								Stabilizer Assy—Horizontal (See figure 5-41)	(ALL)	Ref
6-1	73-21011-2								Rib Assy—Horizontal stabilizer station 3-15/32, nose	(ALL)	2
6-2	73-21012-7								Rib Assy—Horizontal stabilizer station 15, nose	(ALL)	2
	73-21001-12								Skin—Nose	(ALL)	2
6-3	73-21013-2								Rib—Horizontal stabilizer station 24-3/4, nose	(ALL)	2
6-4	73-21014-8								Rib—Horizontal stabilizer station 35.25, nose	(ALL)	2
6-5	73-21015-2								Rib Assy—Horizontal stabilizer station 46-3/4, nose	(ALL)	2
6-6	73-21002-20								Beam Assy—Horizontal stabilizer forward	(A-GB, J-NA)	1
	73-21002-30								Beam Assy—Horizontal stabilizer forward	(GC-H, NB-Q)	1
6-7	73-21017								Rib—Horizontal stabilizer station 70.5	(ALL)	2
	73-21001-34								Tip Assy—Horizontal stabilizer	(ALL)	1
6-8	73-21023								Rib—Horizontal stabilizer tip front	(ALL)	2
	73-21001-2								Skin—Horizontal stabilizer tip	(ALL)	2
6-9	73-21024								Rib—Horizontal stabilizer tip rear	(ALL)	2
	7S5-8-8								Screw—100° flat head	(ALL)	30
	7S1-8-10								Screw—Button head	(ALL)	2
	22A21-82								Nut—Basket (ELASTIC)	(ALL)	32
6-10	73-21020								Rib—Horizontal stabilizer station 62-7/8, rear	(ALL)	2
6-11	73-21016-4								Rib—Horizontal stabilizer station 59, rear	(ALL)	2
6-12	73-21016-2								Rib—Horizontal stabilizer station 59 LH, intermediate	(ALL)	1
	73-21016-3								Rib—Horizontal stabilizer station 59 RH, intermediate	(ALL)	1
6-13	73-21015-5								Rib—Horizontal stabilizer station 46-3/4, rear	(ALL)	2
6-14	73-21015-3								Rib—Horizontal stabilizer station 46-3/4 LH, intermediate	(ALL)	1
	73-21015-4								Rib—Horizontal stabilizer station 46-3/4 RH, intermediate	(ALL)	1
6-15	73-21014-7								Rib—Horizontal stabilizer station 35-25, rear	(ALL)	4
6-16	73-21014-10								Rib Assy—Horizontal stabilizer station 35.25 LH, intermediate	(ALL)	1
	73-21014-11								Rib Assy—Horizontal stabilizer station 35.25 RH, intermediate	(ALL)	1
6-17	73-21013-5								Rib—Horizontal stabilizer station 24-3/4, rear	(ALL)	2
6-18	73-21013-12								Rib Assy—Horizontal stabilizer station 24-3/4 LH, intermediate	(ALL)	1
	73-21013-13								Rib Assy—Horizontal stabilizer station 24-3/4 RH, intermediate	(ALL)	1
6-19	73-21012-4								Rib—Horizontal stabilizer 15, rear	(ALL)	2
6-20	73-21012-14								Rib Assy—Horizontal stabilizer station 15, LH, intermediate	(ALL)	1
	73-21012-15								Rib Assy—Horizontal stabilizer station 15, RH, intermediate	(ALL)	1
6-21	73-21018								Rib—Horizontal stabilizer station 4-7/8, rear	(ALL)	2
6-22	73-21011-14								Rib Assy—Horizontal stabilizer station 3-15/16 LH, intermediate	(ALL)	1
	73-21011-15								Rib Assy—Horizontal stabilizer station 3-15/16 RH, intermediate	(ALL)	1
6-23	73-21003								Beam Assy—Horizontal stabilizer, rear	(ALL)	1
	73-23001	**							Stabilizer Assy—Vertical (See figure 5-1)	(B-CB)	Ref
	73-23001-100	**							Stabilizer Assy—Vertical (See figure 5-1)	(CC-FE, J-MA)	Ref
	73-23001-300	**							Stabilizer Assy—Vertical (See figure 5-1)	(FF-GB, MB-NA)	Ref
	73-23001-400	**							Stabilizer Assy—Vertical (See figure 5-1)	(ALL)	Ref
6-24	73-23004-2								Rib—Vertical stabilizer station 19 canted, front	(ALL)	1
6-25	73-23005-2								Rib—Vertical stabilizer station 29-1/2, front	(ALL)	1
	73-23001-8								Skin—Vertical stabilizer nose	(ALL)	1
6-26	73-23006-2								Rib—Vertical stabilizer station 40, front	(ALL)	1
6-27	73-23007-2								Rib—Vertical stabilizer station 50-1/2, front	(ALL)	1
6-28	73-23008								Rib Assy—Vertical stabilizer station 61-1/2	(ALL)	1
6-29	73-23021								Rib—Vertical stabilizer tip front	(ALL)	1
6-30	73-23022								Rib—Vertical stabilizer tip rear	(ALL)	1
	73-23001-2								Skin—Vertical stabilizer tip	(ALL)	1
6-31	73-23013								Rib—Vertical stabilizer tip station 54-9/16	(ALL)	1
6-32	73-23007-4								Rib—Vertical stabilizer tip station 50-1/2, rear	(ALL)	1
6-33	73-23007-3								Rib—Vertical stabilizer tip station 50-1/2, rear	(ALL)	1
6-34	73-23006-3								Rib—Vertical stabilizer tip station 40, intermediate	(ALL)	1
6-35	73-23006-4								Rib—Vertical stabilizer tip station, rear	(ALL)	1
6-36	73-23005-5								Rib—Vertical stabilizer tip station 29-1/2, rear	(ALL)	2
6-37	73-23005-8								Rib Assy—Vertical stabilizer tip station, 29-1/2	(ALL)	1
6-38	73-23004-4								Rib—Vertical stabilizer tip station 19 canted, rear	(ALL)	1
6-39	73-23004-3								Rib—Vertical stabilizer tip station 19 canted, center	(ALL)	1
6-40	73-23015								Rib—Vertical stabilizer tip station 10 canted, rear	(ALL)	1
6-41	73-23002								Beam Assy—Vertical stabilizer forward	(ALL)	1
6-42	73-23003-50								Beam Assy—Vertical stabilizer forward	(ALL)	1
6-43	122-23009								Fitting—Vertical stabilizer front beam attaching	(ALL)	1

*73-21001-200 may be used for 73-21001-300, if reworked per Technical Order 01-60-100A.
 **73-23001, 73-23001-100 & 73-23001-300 may be used for 73-23001-400, if reworked per Technical Order 01-60-100A.

Section II
Group Assembly Parts List

AN 01-60JE-4
FUSELAGE GROUP

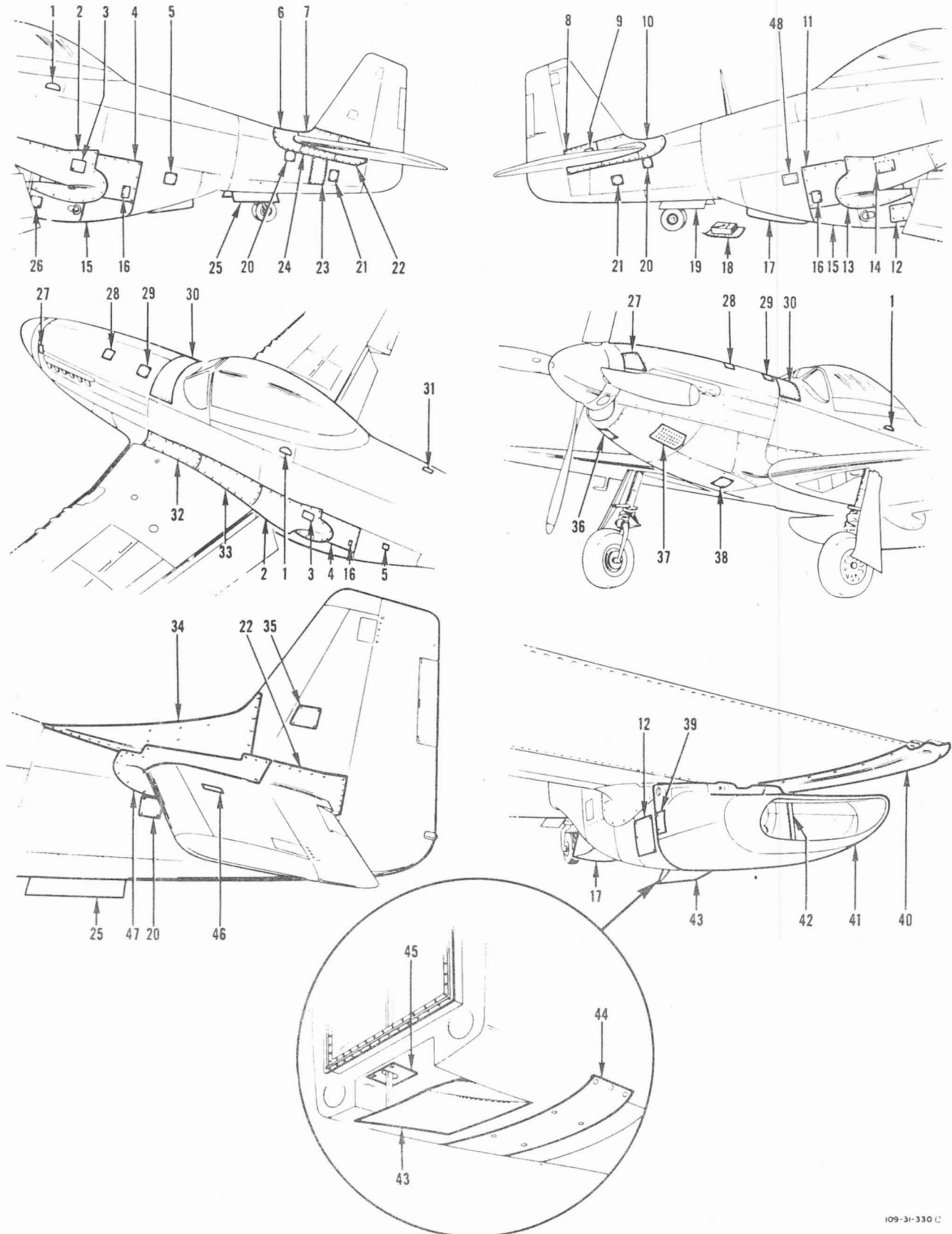


Figure 7—Fuselage Covers and Fillets

109-34-330 C

AN 01-60JE-4
FUSELAGE GROUP
FUSELAGE COVERS AND FILLETS

FIGURE & INDEX NUMBER	PART NUMBER	NOMENCLATURE	USAGE							UNITS PER ASSY
			1	2	3	4	5	6	7	
7-1	106-31095	Door Assy—Fuselage station 159-7/16 hand hold							(ALL)	1
7-2	109-10007	Fillet Assy—Wing to fuselage rear LH (Spare parts to include the following assembly)							(ALL)	1
7-3	109-31214	Door Assy—Fuselage fuel cell drain (LH only)							(ALL)	1
7-4	102-310331-20	Door Assy—Fuselage station 182 to 202-11/16 LH							(ALL)	1
7-5	106-73379	Door Assy—Oxygen filler valve well							(ALL)	1
7-6	106-20012	* Fillet Assy—Empennage front							(SEE NOTE *)	1
7-7	106-20013	* Fillet Assy—Empennage upper center							(SEE NOTE *)	1
7-8	73-20002-15	Fillet Assy—Empennage RH							(ALL)	1
7-9	73-20002-18	Door Assy—Empennage fillet access (RH only)							(ALL)	1
7-10	73-20002-5	Fillet Assy—Empennage RH							(ALL)	1
7-11	102-310331-21	Door Assy—Fuselage station 182 to 202-11/16 RH							(ALL)	1
7-12	102-310317	Cover Assy—Fuselage oil cooler access (RH only)							(ALL)	1
7-13	109-10007-1	Fillet Assy—Wing to fuselage rear RH							(ALL)	1
7-14	104-10011	Door Assy—External power source receptacle access (RH only)							(ALL)	1
7-15	102-310106	Cover Assy—Fuselage coolant radiator access							(ALL)	1
7-16	102-310118	Cover Assy—Fuselage station 199 coolant radiator access							(ALL)	1
7-17	102-31025-20	Scoop Assy—Fuselage radiator air rear							(ALL)	1
7-18	102-310188-10	Cover Assy—Fuselage station 232 to 248 access							(A,F,I)	1
	102-310188-20	Cover Assy—Fuselage station 232 to 248 access							(G, H, Q)	1
7-19	73-31066-1	Door Assy—Fuselage tail wheel RH (See figure 19-32)							(ALL)	Ref
7-20	73-31062	Cover Assy—Fuselage access station 273-1/2							(ALL)	2
7-21	73-31063	Cover Assy—Fuselage access station 302							(ALL)	2
7-22	73-20002-14	Fillet Assy—Empennage LH							(ALL)	1
7-23	99-31083	Cover—Fuselage station 291 to 300 left side access							(ALL)	1
7-24	73-20002-4	Fillet Assy—Empennage LH							(ALL)	1
7-25	73-31066	Door Assy—Fuselage tail wheel LH (See figure 19-32)							(ALL)	Ref
7-26	109-31205	Door Assy—Front scoop fairing attaching station 159 access (LH only)							(ALL)	1
7-27	102-310283	Cover Assy—Engine removable cowl coolant tank filler							(ALL)	1
7-28	109-31089	Door Assy—Engine removable cowl oil filler access (Supersedes 109-31088)							(ALL)	1
7-29	102-31089	Door Assy—Engine removable cowl oil filler access (Supersedes 102-31092)							(ALL)	1
7-30	106-310127	Cover Assy—Fuselage firewall to windshield access							(ALL)	1
7-31	106-310297	Door Assy—Cockpit enclosure actuating cable pulley station 216 access							(ALL)	1
7-32	106-10005	Fillet Assy—Wing to fuselage top front LH							(ALL)	1
	106-10005-1	Fillet Assy—Wing to fuselage top front RH							(ALL)	1
7-33	109-10006	Fillet Assy—Wing to fuselage top rear LH							(ALL)	1
	109-10006-1	Fillet Assy—Wing to fuselage top rear RH							(ALL)	1
7-34	109-25001	* Fin Assy—Dorsal							(ALL)	1
7-35	73-23024	Cover—Vertical stabilizer trim tab mechanism access							(ALL)	1
7-36	104-310227	Cover Assy—Engine cowl station 3-7/16 access							(ALL)	1
7-37	104-310276	Plate Assy—Carburetor air filter intake LH							(ALL)	1
	104-310276-1	Plate Assy—Carburetor air filter intake RH							(ALL)	1
7-38	104-310226	Cover Assy—Engine cowl station 48-19/32 to 55-31/32 access							(A, F, I)	1
	109-310226	Cover Assy—Engine cowl removable lower rear heating access							(G, H, Q)	1
7-39	102-31436	Door Assy—Front scoop fairing attaching station 159 access							(ALL)	2
7-40	109-10010	Cover—Wing bolting angle (Supersedes 102-10010)							(ALL)	1
7-41	102-310119-100	Fairing Assy—Fuselage radiator air scoop front removable							(ALL)	1
7-42	102-31080	Link Assy—Fuselage station 138.765 front radiator air scoop to wing attaching							(ALL)	1
7-43	102-31023	Door Assy—Fuselage oil cooler radiator air outlet							(ALL)	1
7-44	102-47070-50	Support Assy—Oil cooler radiator removable							(B,J,K)	1
	102-47070-100	Support Assy—Oil Cooler radiator removable							(C-E, L-Q)	1
7-45	102-310313	Cover Assy—Fuselage station 180 lower access							(ALL)	1
7-46	73-21039	Cover—Horizontal stabilizer trim tab mechanism access							(ALL)	2
7-47	109-20012	* Fillet Assy—Empennage front LH							(ALL)	1
	109-20012-1	* Fillet Assy—Empennage front RH							(ALL)	1
7-48	109-31217	Door Assembly—Fuselage external power source							(RF-S)	1
	109-31283	Spring—External power source door actuating							(RF-S)	1

* Items 34 and 47 replace items 6 and 7 per Technical Order O1-60JE-8.

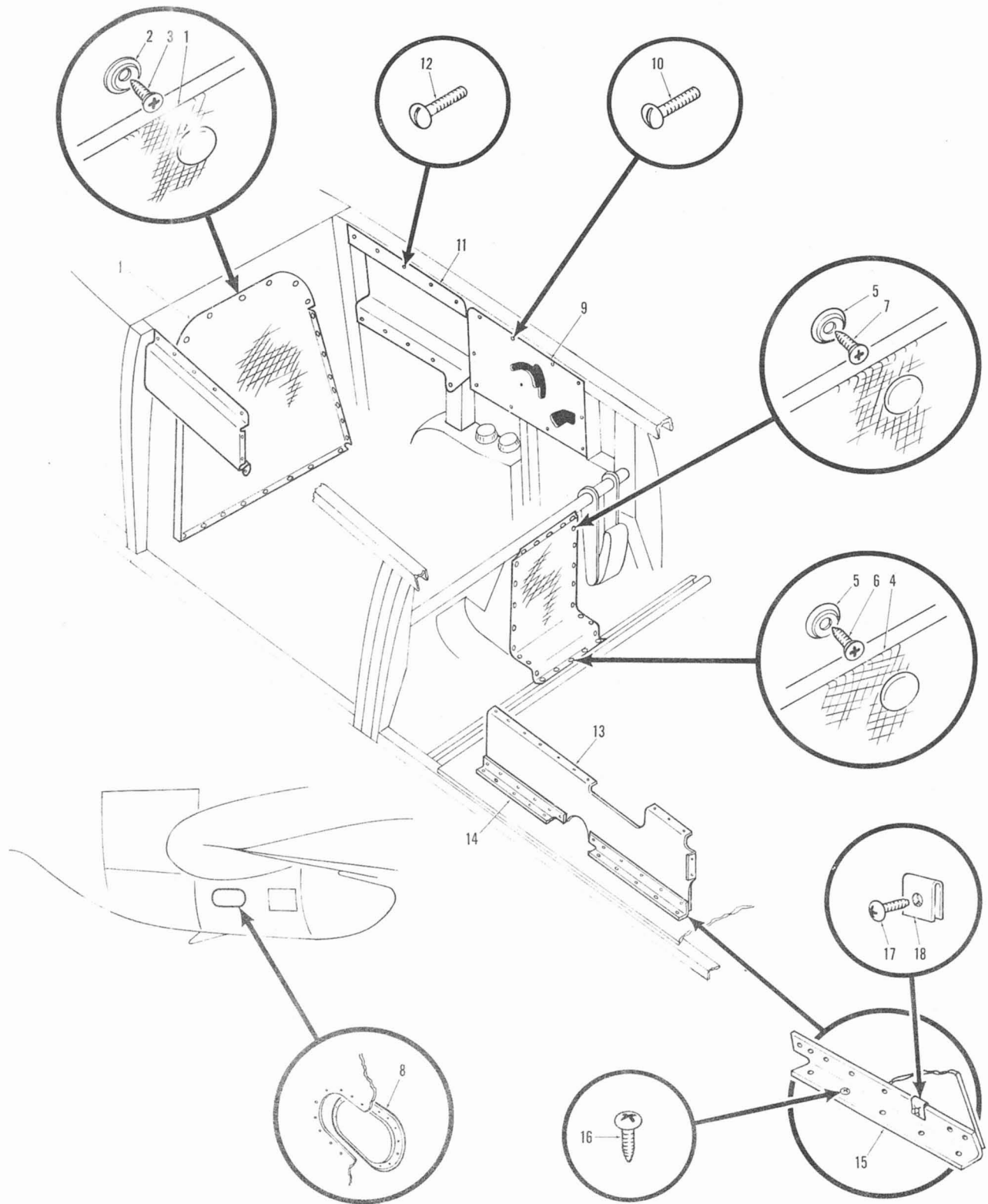


Figure 7A—Furnishings Installation

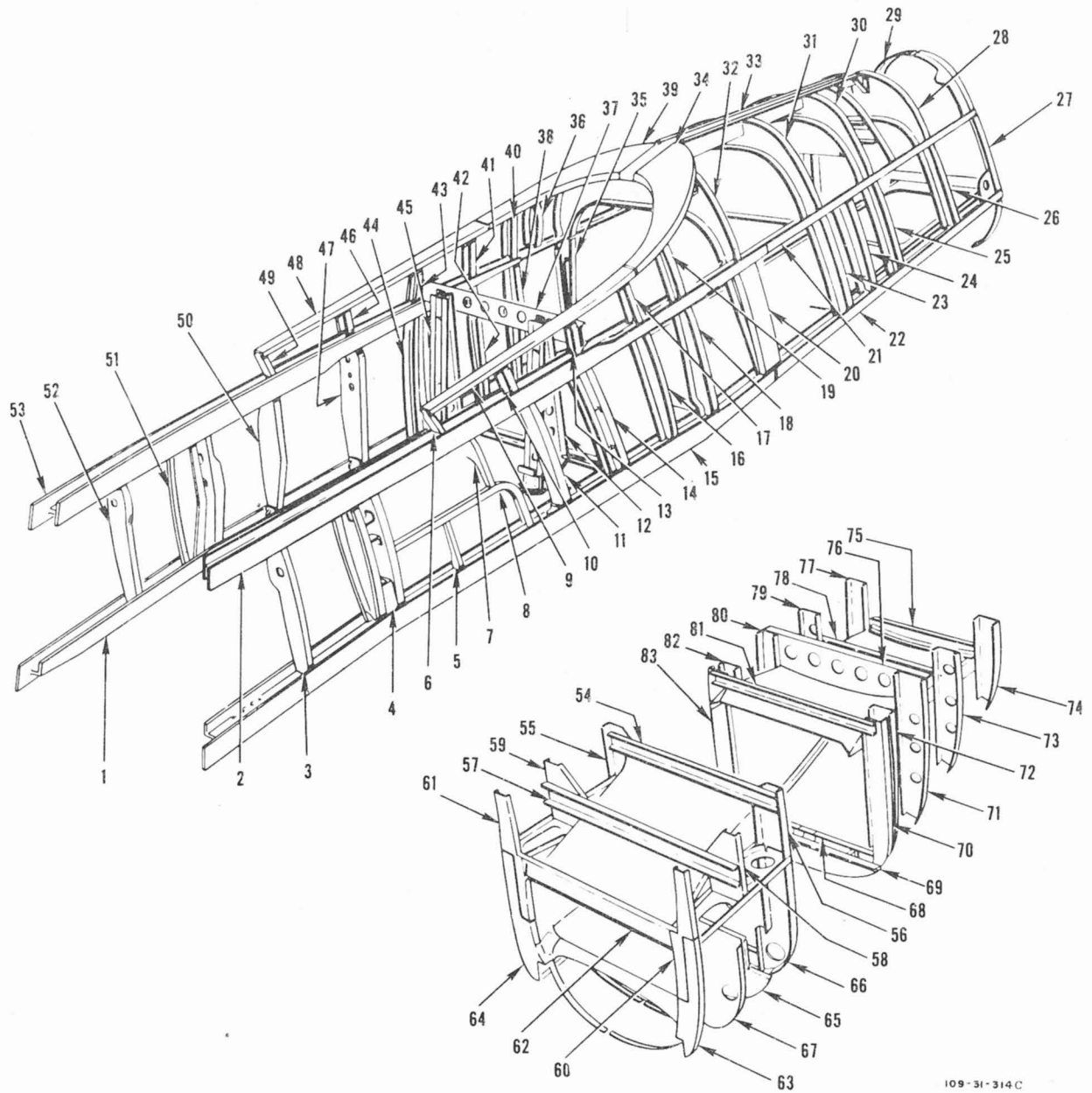
TF-51D

AN 01-60JE-4
FUSELAGE GROUP
ENGINE MOUNT

FIGURE & INDEX NUMBER	PART NUMBER	NOMENCLATURE							USAGE CODE	UNITS PER ASSY	
		1	2	3	4	5	6	7			
9-1	102-31901-100									Mount Assy—Engine (ALL)	1
9-2	104-310262									Edge Assy—Fuselage carburetor air duct leading (Supersedes 102-310262) (ALL)	1
9-3	102-31909-50									Frame Assy—Engine mount cowl station 3-7/16 to 2.713 (Supersedes 102-31909-25) (ALL)	1
9-4	102-31902-100									Beam Assy—Engine mount LH (ALL)	1
9-5	102-31902-101									Beam Assy—Engine mount RH (ALL)	1
9-6	102-31920									Fitting—Engine mount firewall lower (ALL)	1
9-7	106-55014									Lug—Airplane hoisting engine mount (ALL)	1
9-8	102-31996									Frame Assy—Engine mount canted (ALL)	1
9-9	102-31961									Plate—Engine mount beam torsion LH (ALL)	1
	102-31961-1									Plate—Engine mount beam torsion RH (ALL)	1
9-10	102-31975									Brace—Engine mount jury LH (ALL)	1
9-11	102-31975-1									Brace—Engine mount jury RH (ALL)	1
9-12	102-31948									Strut Assy—Engine mount diagonal brace complete LH (ALL)	1
9-13	102-31948-1									Strut Assy—Engine mount diagonal brace complete RH (ALL)	1
9-14	102-31919									Fitting—Engine mount diagonal brace LH (ALL)	1
9-15	102-31919-1									Fitting—Engine mount diagonal brace RH (ALL)	1
9-16	102-31942-100									Housing Assy—Engine mount lord bushing front LH (ALL)	1
	102-31942-101									Housing Assy—Engine mount lord bushing front RH (ALL)	1
9-17	102-31943-100									Housing—Engine mount lord bushing front LH (ALL)	1
	102-31943-101									Housing—Engine mount lord bushing front RH (ALL)	1
9-18	117-319101	*								Nut—Lord bushing (Supersedes 102-3158-4) (ALL)	3
9-19	102-31958-50	*								Bushing Assy—Engine shock support front (ALL)	3
	102-31958-3									Plate—Engine shock support front bushing end (LORD J-1767-3 Reworked) (ALL)	2
9-21	102-31958-2									Washer—Engine shock support front bushing (LORD J-1767-2 Reworked) (ALL)	2
9-22	102-31958-1									Bushing—Engine shock support front bushing assembly (LORD J-1767-1 Reworked) (ALL)	1
9-23	102-31958-5									Washer—Engine shock support front bushing (LORD J-1891-1 Reworked) (ALL)	1
9-24	102-31945									Housing Assy—Engine mount lord bushing rear LH (ALL)	1
	102-31945-1									Housing Assy—Engine mount lord bushing rear RH (ALL)	1
9-25	102-31944									Housing—Engine mount lord bushing rear LH (ALL)	1
	102-31944-1									Housing—Engine mount lord bushing rear RH (ALL)	1
9-26	117-319101	*								Nut—Lord bushing (Supersedes 102-31958-4) (ALL)	2
9-27	102-31958-50	*								Bushing Assy—Engine shock support front (ALL)	2
	102-31958-3									Plate—Engine shock support front bushing end (LORD J-1767-3 Reworked) (ALL)	2
9-29	102-31958-2									Washer—Engine shock support front bushing (LORD J-1767-2 Reworked) (ALL)	2
9-30	102-31958-1									Bushing—Engine shock support front (ALL)	1
9-31	102-31958-5									Washer—Engine shock support front bushing (LORD J-1891-1 Reworked) (ALL)	1
9-32	AN310-8									Nut—Aircraft castle (ALL)	18
9-33	AN960-816									Washer—Plain (ALL)	18
9-34	102-31907									Adapter—Engine mount lord bushing housing to engine front (ALL)	2
9-35	AN8-43									Bolt—Aircraft, 1/2-20 (ALL)	4
9-36	AN8-56									Bolt—Aircraft, 1/2-20 (ALL)	6
9-37	102-31906									Adapter Assy—Engine mount lord bushing housing to engine rear (ALL)	2
9-38	102-31947-2									Bushing—Engine foot rear LH (ALL)	2
	102-31947-4									Bushing—Engine foot rear RH (ALL)	2
9-39	AN8-52									Bolt—Aircraft, 1/2-20, LH (ALL)	2
	AN8-43									Bolt—Aircraft, 1/2-20, RH (ALL)	2
9-40	AN8-57									Bolt—Aircraft, 1/2-20, LH (ALL)	2
	AN8-56									Bolt—Aircraft, 1/2-20, RH (ALL)	2
9-41	102-31412									Bushing—Fuselage firewall engine mount lower hole (ALL)	2
9-42	102-31912									Nut—Engine mount firewall lower attaching bolt (ALL)	2
9-43	106-31413									Angle—Fuselage firewall to wing nose beam attaching LH (ALL)	1
	106-31413-1									Angle—Fuselage firewall to wing nose beam attaching RH (ALL)	1
9-44	106-31402									Fitting—Fuselage lower longeron to firewall LH (ALL)	1
	106-31402-1									Fitting—Fuselage lower longeron to firewall RH (ALL)	1
9-45	102-31977									Washer—Engine mount lower attaching bolt (ALL)	2
9-46	102-31910									Bolt—Engine mount firewall lower attaching (ALL)	2
9-47	102-31911									Bolt—Engine mount firewall upper attaching (ALL)	2
9-48	73-31913									Washer—Engine mount attaching bolt (ALL)	2
9-49	99-31359									Bushing—Fuselage firewall engine mount hole (ALL)	2
9-50	106-31119									Fitting—Fuselage upper longeron engine mount attaching LH (ALL)	1
	106-31119-1									Fitting—Fuselage upper longeron engine mount attaching RH (ALL)	1
9-51	73-31930									Washer—Engine mount fitting (ALL)	2
9-52	73-31912									Nut—Engine mount fuselage attaching (ALL)	2

* 102-31958-50 and 117-319101 together supersedes 102-31958.

AN 01-60JE-4
FUSELAGE GROUP



109-31-314 C

Figure 10—Fuselage Front Frame Structure

FUSELAGE FRONT FRAME STRUCTURE

FIGURE & INDEX NUMBER	PART NUMBER	NOMENCLATURE	USAGE CODE	UNITS PER ASSY
10-1	106-31121-21	1 Longerons Assy—Fuselage station 75 to 184 lower RH.	(ALL)	1
	106-31121-25	2 Longerons Assy—Fuselage station 184 to 248 lower RH.	(ALL)	1
10-2	106-31120-20	3 Longerons Assy—Fuselage station 80.75 to 190 upper LH.	(ALL)	1
10-3	106-31213	4 Frame Assy—Fuselage station 89-3/4 LH.	(ALL)	1
10-4	106-31156	5 Frame Assy—Fuselage station 104 left.	(B, J, K)	1
	106-31156-50	6 Frame Assy—Fuselage station 104 left.	(C-E, L-Q)	1
10-5	106-31157	7 Frame—Fuselage station 112-3/4 left.	(ALL)	1
10-6	106-312101	8 Frame Assy—Fuselage station 118.2 upper canted.	(ALL)	1
10-7	106-31216	9 Frame Assy—Fuselage station 122-1/4 upper left.	(ALL)	1
10-8	106-31218	10 Angle Assy—Fuselage station 105-1/2 to 127-7/8.	(ALL)	1
10-9	106-31656	11 Channel Assy—Station 117.759 to 167-5/16 upper skin supporting.	(ALL)	1
	106-31113-19	12 Strip—Weather. Phalco No. 13.	(ALL)	1
10-10	106-312102	13 Frame Assy—Station 133 upper LH.	(ALL)	1
10-11	106-31158	14 Frame Assy—Fuselage station 133 left.	(ALL)	1
10-12	106-31671	15 Support Assy—Pilot's seat and rear armor plate LH.	(A)	1
	106-31671-100	16 Support Assy—Pilot's seat and rear armor plate LH.	(E)	1

**AN 01-60JE-4
FUSELAGE GROUP**

**Section II
Group Assembly Parts List**

FUSELAGE FRONT FRAME STRUCTURE

FIGURE & INDEX NUMBER	PART NUMBER	NOMENCLATURE	1 2 3 4 5 6 7							USAGE CODE	UNITS PER ASSY
			1	2	3	4	5	6	7		
10-13	106-312103	Frame Assy—Fuselage station 143-7/16 canted upper LH								(ALL)	1
10-14	106-31169	Frame Assy—Fuselage station 146 left								(ALL)	1
10-15	106-31121-20	Longeron Assy—Fuselage station 75 to 184 lower LH								(ALL)	1
10-16	106-31160	Frame—Fuselage station 157-1/2 LH								(ALL)	1
10-17	106-312104-2	Frame—Fuselage station 155-1/2 upper LH								(ALL)	1
10-18	106-31161	Frame Assy—Fuselage station 168 side left								(ALL)	1
10-19	106-31217	Frame Assy—Fuselage station 168 upper LH								(ALL)	1
10-20	106-31162	Frame Assy—Fuselage station 184 side LH								(ALL)	1
10-21	106-31120-22	Longeron Assy—Fuselage station 190 to 248 upper LH								(ALL)	1
10-22	106-31121-24	Longeron Assy—Fuselage station 184 to 248 lower LH								(ALL)	1
10-23	106-31163	Frame Assy—Fuselage station 200 side LH								(ALL)	1
	106-31163-1	Frame Assy—Fuselage station 200 side RH								(ALL)	1
10-24	102-31307	Frame—Fuselage station 208 left								(ALL)	1
	102-31307-1	Frame—Fuselage station 208 right								(ALL)	1
10-25	106-31164	Frame—Fuselage station 216 side LH								(ALL)	1
	106-31164-1	Frame—Fuselage station 216 side RH								(ALL)	1
10-26	106-31165	Frame—Fuselage station 232 side LH								(ALL)	1
	106-31165-1	Frame—Fuselage station 232 side RH								(ALL)	1
10-27	106-31286	Frame Assy—Fuselage station 248 front LH								(ALL)	1
10-28	106-31322	Frame Assy—Fuselage station 232 upper								(ALL)	1
10-29	106-31286-1	Frame Assy—Fuselage station 248 front RH								(ALL)	1
10-30	106-31321	Frame Assy—Fuselage station 216 upper								(ALL)	1
10-31	106-31320	Frame—Fuselage station 200 upper								(ALL)	1
10-32	106-31319	Frame Assy—Fuselage station 184 upper								(ALL)	1
10-33	106-31657	Channel Assy—Station 182 to 232 rear track enclosure support								(ALL)	1
10-34	106-31655	Channel—Upper skin supporting rear LH								(ALL)	1
10-35	106-31162-1	Frame Assy—Fuselage station 184 side RH								(ALL)	1
10-36	106-31170	Frame Assy—Fuselage station 176-1/2 right upper								(ALL)	1
10-37	106-31429	Beam—Pilot's seat support fuselage station 143-9/6								(ALL)	1
10-38	106-31161-1	Frame Assy—Fuselage station 168 side RH								(ALL)	1
10-39	106-31655-1	Channel—Upper skin supporting rear RH								(ALL)	1
10-40	106-31217-1	Frame Assy—Fuselage station 168 upper RH								(ALL)	1
10-41	106-312104-1	Frame Assy—Fuselage station 155-1/2 upper RH								(ALL)	1
10-42	106-31160-1	Frame—Fuselage station 157-1/2 RH								(ALL)	1
10-43	106-312103-1	Frame Assy—Fuselage station 143-7/16 canted upper RH								(ALL)	1
10-44	106-31169-1	Frame Assy—Fuselage station 146 right								(ALL)	1
10-45	106-31671-1	Support Assy—Pilot's seat and rear armor plate RH								(A)	1
	106-31671-101	Support Assy—Pilot's seat and rear armor plate RH								(E)	1
10-46	106-312102-1	Frame Assy—Station 133 upper RH								(ALL)	1
10-47	106-31174	Frame Assy—Fuselage station 134-1/2 right								(ALL)	1
10-48	106-31656-1	Channel Assy—Station 117.759 to 167-5/16 upper skin supporting RH								(ALL)	1
	106-31113-19	Strip—Weather. Phalco No. 13								(ALL)	1
10-49	106-312101-1	Frame—Fuselage station 118.2 upper canted RH								(ALL)	1
10-50	106-31214	Frame—Fuselage station 119-1/4 right								(ALL)	1
10-51	106-31155	Frame Assy—Fuselage station 104 left								(B, J, K)	1
	106-31155-10	Frame Assy—Fuselage station 104 right								(C-E, L-Q)	1
10-52	106-31213-1	Frame Assy—Fuselage station 89-3/4 RH								(ALL)	1
10-53	106-31120-21	Longeron Assy—Fuselage station 80.75 to 190 upper RH								(ALL)	1
	106-31120-23	Longeron Assy—Fuselage station 190 to 248 upper RH								(ALL)	1
	102-31494	Frame Assy—Fuselage station 182-3/4 upper								(ALL)	1
10-54	102-31411	Frame—Fuselage station 182-3/4 upper air duct attaching								(ALL)	1
10-55	102-31128-1	Frame—Fuselage station 182-3/4 side upper RH								(ALL)	1
10-56	102-31128	Frame—Fuselage station 182 3/4 upper LH								(ALL)	1
	102-31016-100	Covered Assy—Fuselage station 159 to 182 3/4 lower								(ALL)	1
	102-31016-48	Sub-Assembly—Fuselage station 159 to 182 3/4 lower								(ALL)	1
	102-31016-61	Sub-Assembly—Fuselage station 159 to 182 3/4 lower								(ALL)	1
10-57	102-31304-10	Beam Assy—Fuselage station 171 upper duct attaching								(ALL)	1
10-58	102-31138	Frame—Fuselage station 171 upper LH								(ALL)	1
10-59	102-31138-1	Frame—Fuselage station 171 upper RH								(ALL)	1
	102-31016-62	Sub-Assembly—Fuselage station 159 to 182 3/4 lower covered								(ALL)	1
10-60	102-310298	Frame—Fuselage station 159 scoop fairing upper LH								(ALL)	1
10-61	102-310298-1	Frame—Fuselage station 159 scoop fairing upper RH								(ALL)	1
10-62	102-310195	Beam—Fuselage station air duct upper rear support								(ALL)	1
	102-31016-54	Sub-Assembly—Fuselage station 159 to 182 3/4 lower								(ALL)	1
	102-31016-55	Sub-Assembly—Fuselage station 159 to 182 3/4 lower								(ALL)	1
10-63	102-310300	Frame—Fuselage station 159 scoop fairing lower LH								(ALL)	1
10-64	102-310300-1	Frame—Fuselage station 159 scoop fairing lower RH								(ALL)	1
	102-31016-52	Sub-Assembly—Fuselage station 159 to 182 3/4 lower								(ALL)	1
10-65	102-310199	Frame Assembly—Fuselage station 176 3/8 radiator air duct								(ALL)	1
10-66	102-31141	Frame Assembly—Fuselage station 182 3/4 lower								(ALL)	1
10-67	102-31146	Frame Assembly—Fuselage station 170 complete lower								(ALL)	1
	102-31079-100	Covered Assy—Fuselage station 202 to 248 lower								(ALL)	1
10-68	102-31276-10	Beam Assy—Fuselage station 204-1/4 radiator air scoop attaching LH								(ALL)	1
	102-31276-11	Beam Assy—Fuselage station 204-1/4 radiator air scoop attaching RH								(ALL)	1
10-69	102-31266	Beam Assy—Fuselage station 202 lower								(ALL)	1
10-70	102-31134	Frame Assy—Fuselage station 202 lower LH								(ALL)	1
10-71	102-31142	Frame—Fuselage station 213-1/2 lower LH								(ALL)	1
10-72	102-31135	Frame Assy—Fuselage station 204-1/4 lower LH								(ALL)	1
10-73	102-31143	Frame—Fuselage station 221-17/32 lower LH								(ALL)	1
10-74	102-31144	Frame Assy—Fuselage station 232 lower LH								(ALL)	1
10-75	102-31267	Beam Assy—Fuselage station 232 lower								(ALL)	1
10-76	102-31382	Beam—Fuselage station 213-1/2 lower								(ALL)	1
10-77	102-31144-1	Frame Assy—Fuselage station 232 lower RH								(ALL)	1
10-78	102-31265	Beam—Fuselage station 221-17/32 lower								(ALL)	1
10-79	102-31143-1	Frame—Fuselage station 221-17/32 lower RH								(ALL)	1
10-80	102-31142-1	Frame—Fuselage station 213-1/2 lower RH								(ALL)	1
10-81	102-31264	Beam—Fuselage station 202 lower longeron attaching								(ALL)	1
10-82	102-31135-1	Frame Assy—Fuselage station 204-1/4 lower RH								(ALL)	1
10-83	102-31134-1	Frame Assy—Fuselage station 202 lower RH								(ALL)	1

Section II
Group Assembly Parts List

AN 01-60JE-4
FUSELAGE GROUP

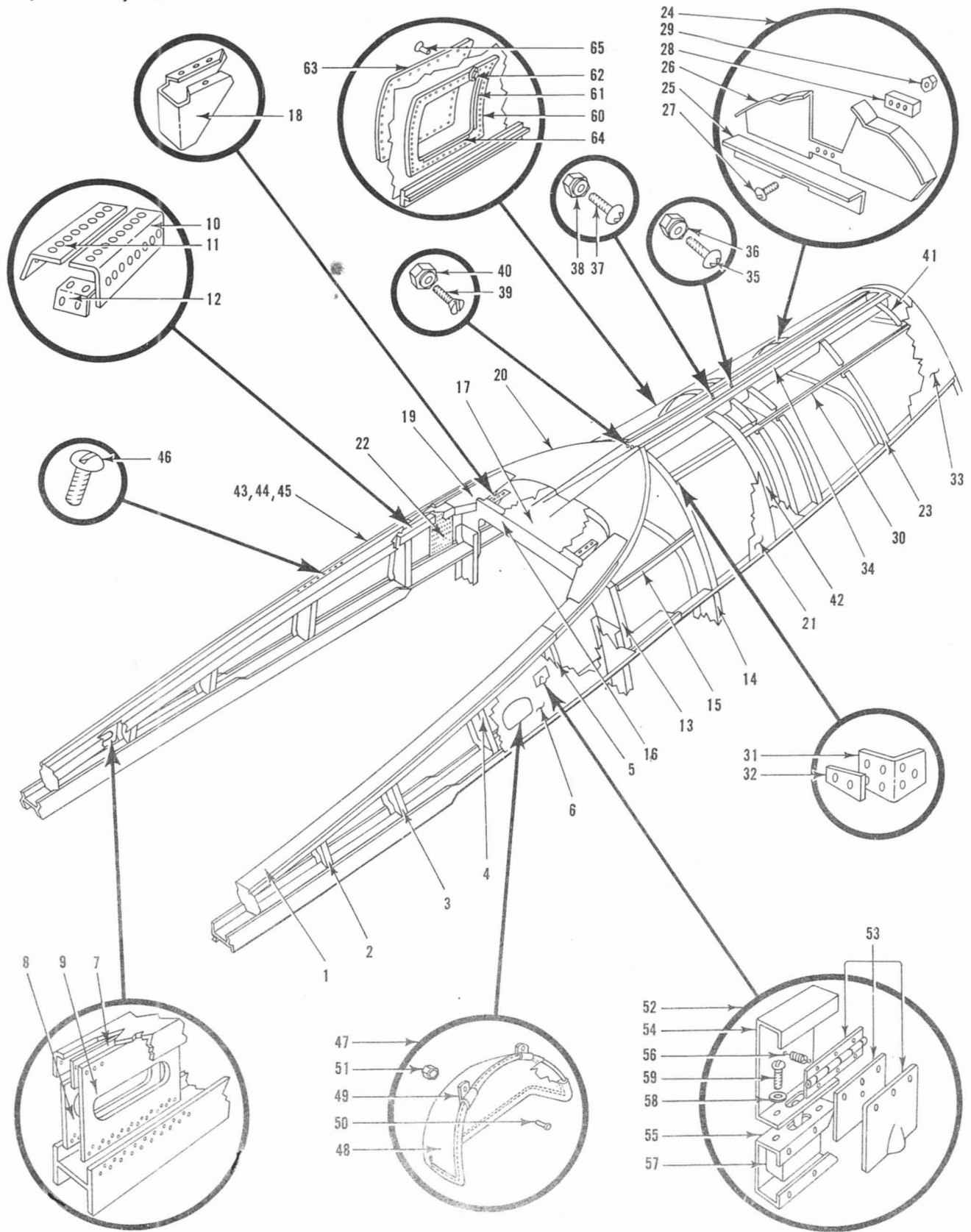


Figure 10A—Fuselage Forward Section Frame Structure

TF-51D

Revised 15 June 1952

AN 01-60JE-4
ALIGHTING GEAR GROUP

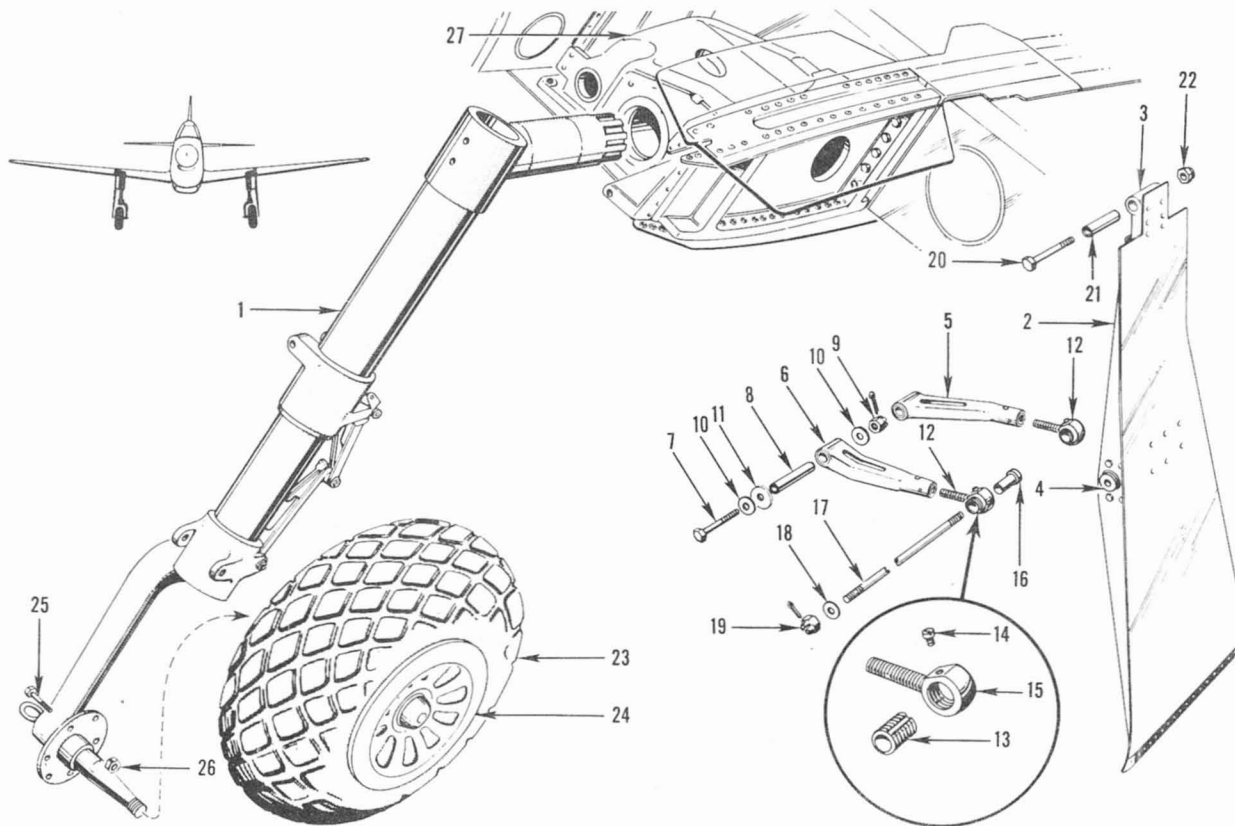


Figure 15—Main Landing Gear Housing, Fairing and Shock Strut

MAIN LANDING GEAR HOUSING, FAIRING AND SHOCK STRUT

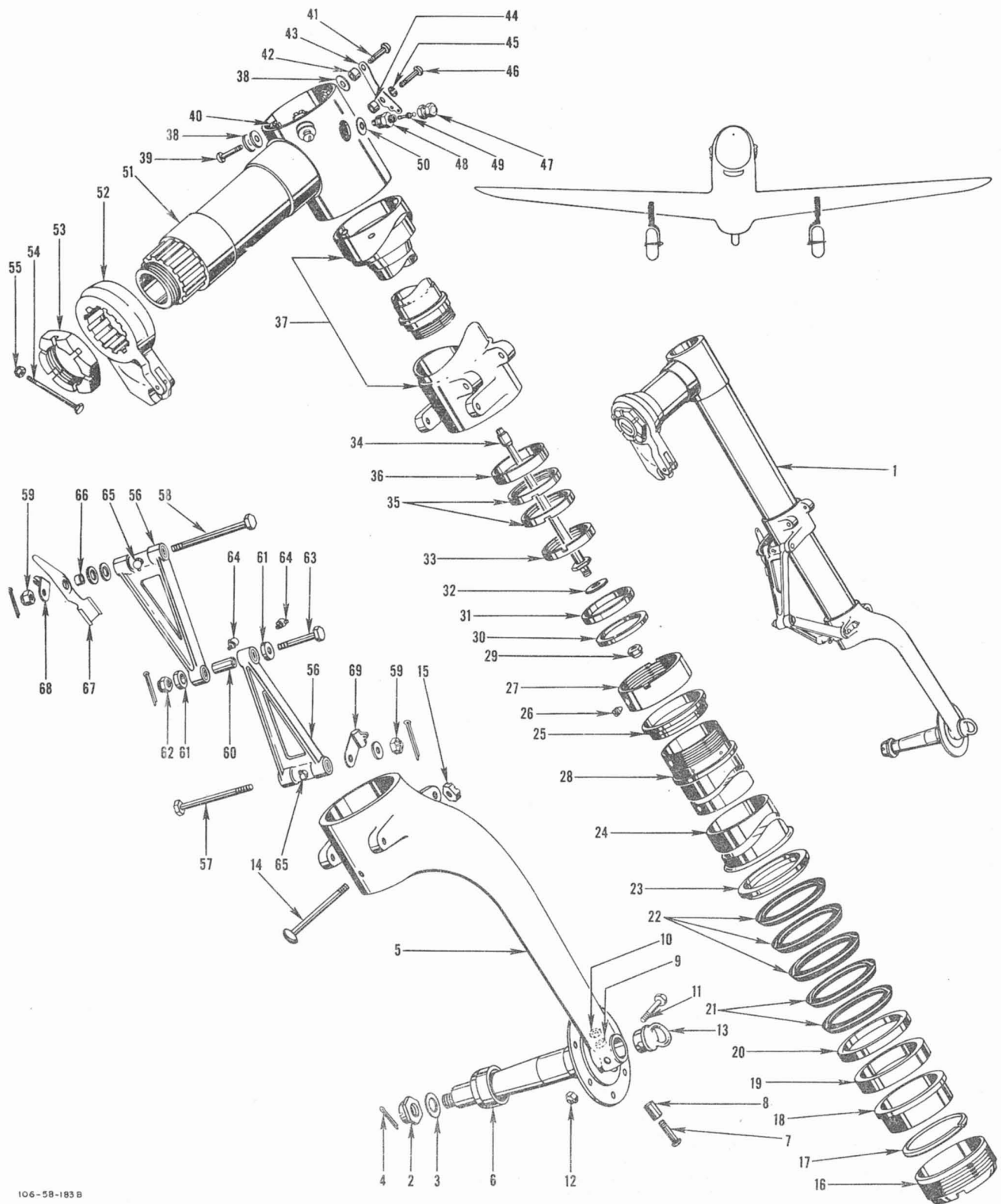
FIGURE & INDEX NUMBER	PART NUMBER	1	2	3	4	5	6	7	NOMENCLATURE	USAGE CODE	UNITS PER ASSY
15-1	67270								Strut Assy—Landing gear shock complete LH (BENDIX) (See figure 16-1)	(ALL)	Ref
	67271								Strut Assy—Landing gear shock complete RH (BENDIX) (See figure 16-1)	(ALL)	Ref
15-2	106-33302								Fairing Assy—Landing gear LH	(ALL)	1
	106-33302-1								Fairing Assy—Landing gear RH	(ALL)	1
15-3	73-33306								Fitting Assy—Landing gear fairing hinge bracket attaching LH	(ALL)	1
	73-33306-1								Fitting Assy—Landing gear fairing hinge bracket attaching RH	(ALL)	1
	73-33307								Bushing—Landing gear fairing hinge bracket attaching	(ALL)	2
15-4	106-33304								Fitting—Landing gear fairing link attaching LH	(ALL)	1
	106-33304-1								Fitting—Landing gear fairing link attaching RH	(ALL)	1
15-5	73-33312								Link Assy—Landing gear fairing attaching rear	(ALL)	2
15-6	73-33313								Link Assy—Landing gear fairing attaching front	(ALL)	2
	73-33308								Bushing—Landing gear fairing attaching link	(ALL)	1
	AN394-35								Pin—Flat head, 1/4	(ALL)	1
	73-33311								Sleeve—Landing gear fairing attaching link	(ALL)	1
15-7	AN5-26								Bolt—Aircraft, 5 16-24 (Front)	(ALL)	2
	AN5-27								Bolt—Aircraft, 5 16-24 (Rear)	(ALL)	2
15-8	73-33310-2								Spacer—Landing gear fairing attaching link (Front)	(ALL)	2
	73-33310-3								Spacer—Landing gear fairing attaching link (Rear)	(ALL)	2
15-9	AN310-5								Nut—Aircraft castle	(ALL)	4
15-10	2W1-21-24-64								Washer—Plain	(ALL)	8
15-11	2W1-40-32-32								Washer—Plain	(ALL)	4
15-12	102-33309								Eyebolt Assy—Landing gear fairing attaching link	(ALL)	4
15-13	102-33321								Screw—Landing gear fairing attaching link eyebolt	(ALL)	1
15-14	AN500A6-4								Screw—Fillister head, drilled or plain head, coarse thread	(ALL)	1
15-15	102-33316								Eyebolt—Landing gear fairing attaching link	(ALL)	1
15-16	102-33322								Bushing—Landing gear fairing attaching link spacer	(ALL)	4
15-17	102-33325								Stud—Landing gear fairing eyebolt attaching	(ALL)	2
15-18	2W1-25-24-64								Washer—Plain	(ALL)	4
15-19	AN320-6								Nut—Aircraft shear	(ALL)	4
15-20	AN6-13								Bolt—Aircraft, 3/8-24	(ALL)	2
15-21	4B1-R6-124								Bushing—Spacer	(ALL)	2
15-22	AN310-6								Nut—Aircraft castle	(ALL)	2
15-23	254550								Casing—Landing wheel 27 smooth contour 10 ply rating	(ALL)	2
	744100								Tube—27 smooth contour, Style S	(ALL)	2
15-24	530441M								Wheel Assy—27 smooth contour landing (GFE)	(ALL)	2
	511124M								Brake Assy—7.6 x .100/.125 x 9 high pressure (GFE)	(ALL)	2
15-25	AN6-11A								Bolt—Aircraft, 3/8-24	(ALL)	12
15-26	AN365-624								Nut—Self locking	(ALL)	12
15-27	91-33106-200								Support Assy—Landing gear pivot LH (Supersedes 91-33106-100)	(ALL)	1
	91-33106-201								Support Assy—Landing gear pivot RH (Supersedes 91-33106-101)	(ALL)	1
	122-33109								Bushing—Landing gear pivot support	(ALL)	4

*1

*1 Refer to T.O. 1F-51D-42.

Section II
Group Assembly Parts List

AN 01-60JE-4
ALIGNING GEAR GROUP



106-58-183 B

Figure 16—Main Landing Gear Shock Strut (Bendix)

AN 01-60JE-4

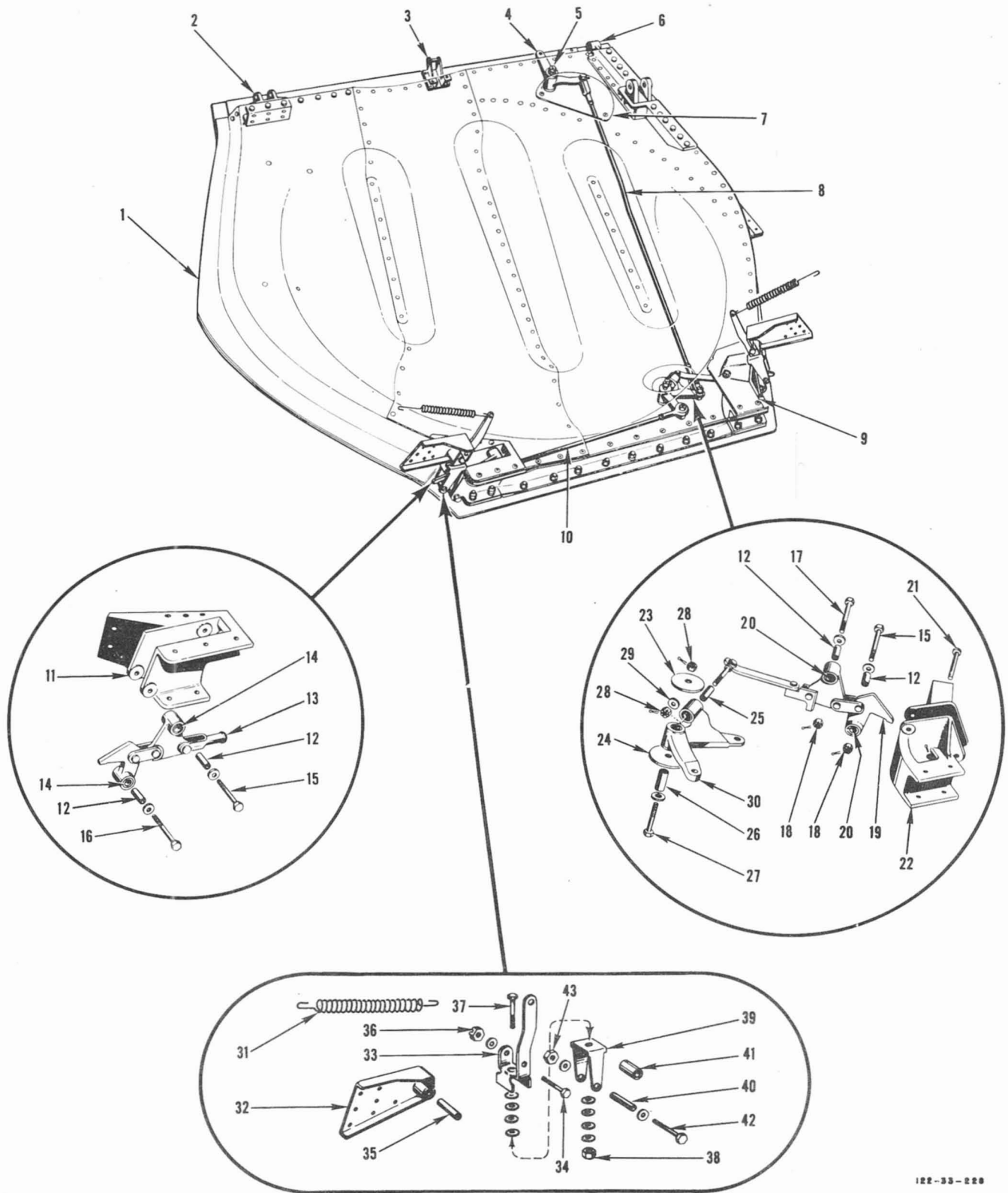
ALIGNING GEAR GROUP

MAIN LANDING GEAR SHOCK STRUT (BENDIX)

FIGURE & INDEX NUMBER	PART NUMBER	NOMENCLATURE	1 2 3 4 5 6 7							USAGE CODE	UNITS PER ASSY
			1	2	3	4	5	6	7		
16-1	67270	Strut Assy—Landing gear shock complete LH (BENDIX) (NAA Drawing Number 73-33102-10) (See figure 15-1).....								(ALL)	1
	67271	Strut Assy—Landing gear shock complete RH (BENDIX) (NAA Drawing Number 73-33102-11) (See figure 15-1).....								(ALL)	1
	67274	Inner Cylinder Fork and Axle Assy LH (BENDIX).....								(ALL)	1
	67275	Inner Cylinder Fork and Axle Assy RH (BENDIX).....								(ALL)	1
16-2	AN7502-1	Nut—Wheel bearing retaining (BENDIX 111-S-2).....								(ALL)	1
16-3	AN7503-1	Washer—Wheel bearing retaining (BENDIX 110-S-2).....								(ALL)	1
16-4	AN380-4-8	Pin—Cotter (BENDIX 901240K1).....								(ALL)	1
16-5	67276	Fork and Axle Assembly LH (BENDIX).....								(ALL)	1
	67277	Fork and Axle Assembly RH (BENDIX).....								(ALL)	1
	65666	Pad—Jack (BENDIX).....								(ALL)	1
	51422	Retainer—Landing wheel stub axle grease (BENDIX).....								(ALL)	1
16-6	34A15-2	Collar—Landing gear axle (BENDIX 50450).....								(ALL)	1
16-7	65684	Stud (BENDIX).....								(ALL)	1
16-8	65646	Roller (BENDIX).....								(ALL)	1
16-9	65669	Washer—Stud (BENDIX).....								(ALL)	1
16-10	AN320-8	Nut—Aircraft shear (BENDIX 175-S-2).....								(ALL)	1
16-11	AN4-30	Bolt—Aircraft, 1/4-28 (BENDIX 120-S-42).....								(ALL)	1
16-12	AN310-4	Nut—Aircraft, castle (BENDIX 121-S-1).....								(ALL)	1
16-13	65916	Ring—Towing LH (BENDIX).....								(ALL)	1
	65917	Ring—Towing RH (BENDIX).....								(ALL)	1
16-14	AN30-70	Bolt—Clevis, 5/8-18 (BENDIX 53847).....								(ALL)	1
16-15	AN320-10	Nut—Aircraft shear (BENDIX 175-S-5).....								(ALL)	1
16-16	67652	Nut—Bearing (BENDIX).....								(ALL)	1
16-17	AN6231-31	Wiper—Packing gland ring (BENDIX 197-S-31).....								(ALL)	1
16-18	67649	Bearing (BENDIX).....								(ALL)	1
16-19	66734	Spacer—Packing (BENDIX).....								(ALL)	1
16-20	AN6228-42	Adapter—"V" ring female hydraulic packing (BENDIX 66144).....								(ALL)	1
16-21	AN6225-44	Packing—"V" ring hydraulic.....								(ALL)	2
16-22	AN6225-42	Packing—"V" ring hydraulic (BENDIX 185-S-42).....								(ALL)	3
16-23	AN6229-42	Adapter—"V" ring male hydraulic packing (BENDIX 66733).....								(ALL)	1
16-24	65660	Bearing—Spacer assembly (BENDIX).....								(ALL)	1
16-25	65670	Valve—Snubber (BENDIX).....								(ALL)	1
16-26	65323	Screw—Lock (BENDIX).....								(ALL)	2
16-27	65659	Bearing—Upper (BENDIX).....								(ALL)	1
	65655	Inner Cylinder and Metering Pin Assembly (BENDIX).....								(ALL)	1
16-28	65656	Inner Cylinder and Diaphragm Pin Assembly (BENDIX).....								(ALL)	1
16-29	AN365-624	Nut—Self locking (BENDIX 172-S-9).....								(ALL)	1
16-30	65133	Ring—Seal (BENDIX).....								(ALL)	1
16-31	65134	Ring—Seal compressing (BENDIX).....								(ALL)	1
16-32	40B887-012C102-20	Gasket—Metering pin pneudraulic shock strut.....								(ALL)	1
16-33	65135	Nut—Lock (BENDIX).....								(ALL)	1
16-34	65658	Pin—Metering (BENDIX).....								(ALL)	1
	67427	Outer Cylinder Piston Tube and Piston Assembly LH (BENDIX).....								(ALL)	1
	67428	Outer Cylinder Piston Tube and Piston Assembly RH (BENDIX).....								(ALL)	1
16-35	65135	Nut—Lock (BENDIX).....								(ALL)	2
16-36	65651	Piston (BENDIX).....								(ALL)	1
16-37	67425	Outer Cylinder Piston Tube Assembly LH (BENDIX).....								(ALL)	1
	67426	Outer Cylinder Piston Tube Assembly RH (BENDIX).....								(ALL)	1
16-38	65813	Washer—Special (BENDIX).....								(ALL)	3
16-39	AN28-18	Bolt—Clevis, 1/2-20 (BENDIX 66986).....								(ALL)	2
16-40	AN320-8	Nut—Aircraft shear (BENDIX 175-S-2).....								(ALL)	3
16-41	AN28-22	Bolt—Clevis, 1/2-20 (BENDIX 65167).....								(ALL)	1
16-42	67338	Spacer (BENDIX).....								(ALL)	1
16-43	68125	Clip—Indicator (BENDIX).....								(ALL)	1
16-44	67340	Spacer (BENDIX).....								(ALL)	1
16-45	AN935-616	Washer—Medium spring lock (BENDIX 90100-8K1).....								(ALL)	1
16-46	AN76-5	Bolt—Drilled head, 3/8 (BENDIX 67359).....								(ALL)	1
	53047	Filler Plug Assembly (BENDIX).....								(ALL)	1
16-47	AN813-1A	Cap—High pressure air valve (BENDIX 53083).....								(ALL)	1
16-48	AN812-1	Body—High pressure air valve (BENDIX 53084).....								(ALL)	1
16-49	AN809-1	Core—High pressure air valve (BENDIX 53085).....								(ALL)	1
16-50	AN901-5C	Gasket—Metal tube connection seal (BENDIX 53050).....								(ALL)	1
16-51	161271	Landing Gear Pivot Shaft and Ring Assembly (BENDIX).....	*1							(ALL)	1
16-52	67972	Arm—Landing gear torque LH (BENDIX).....								(ALL)	1
	67973	Arm—Landing gear torque RH (BENDIX).....								(ALL)	1
	65789	Nut (BENDIX).....								(ALL)	1
16-53	AN3-41A	Bolt—Aircraft, 10-32 (BENDIX 195-S-31).....								(ALL)	1
16-55	AN365-1032	Nut—Self locking (BENDIX 172-S-5).....								(ALL)	1
16-56	54256	Torsion Link and Bushing Assembly (BENDIX).....								(ALL)	2
	53876	Bushing—(Link to strut) (BENDIX).....								(ALL)	2
	54254	Bushing—(Center) (BENDIX).....								(ALL)	1
16-57	67959	Bolt—Special 1/2-20x4-1/8 (One on LH, 2 on RH) (BENDIX).....								(ALL)	3
16-58	67960	Bolt—Special 1/2-20x5-1/8 (Upper LH link only) (BENDIX).....								(ALL)	1
16-59	AN310-8	Nut—Aircraft, castle (BENDIX 121-S-5).....								(ALL)	2
16-60	54252	Spacer—Torsion link (BENDIX).....								(ALL)	1
16-61	54253	Washer—Torsion link (BENDIX).....								(ALL)	2
16-62	AN310-7	Nut—Aircraft, castle (BENDIX 121-S-4).....								(ALL)	1
16-63	AN7-25	Bolt—Aircraft, 7/16-20 (BENDIX 120-S-686).....								(ALL)	1
16-64	AN286-4	Fitting—Lubricator, pressure grip, type PT (BENDIX 65629).....								(ALL)	2
16-65	AN286-3	Fitting—Lubricator, pressure grip, type PT (BENDIX 66891).....								(ALL)	2
16-66	65915	Bushing—Spacer (LH only) (BENDIX).....								(ALL)	1
16-67	65914	Arm—Safety lock (LH only) (BENDIX).....								(ALL)	1
16-68	67920	Upper Clamp Assembly LH (BENDIX).....								(ALL)	1
	67921	Upper Clamp Assembly RH (BENDIX).....								(ALL)	1
16-69	67922	Lower Clamp Assembly (BENDIX).....								(ALL)	1

*1 Refer to T.O. 1F-51D-42.

AN 01-60JE-4
ALIGNING GEAR GROUP



122-33-220

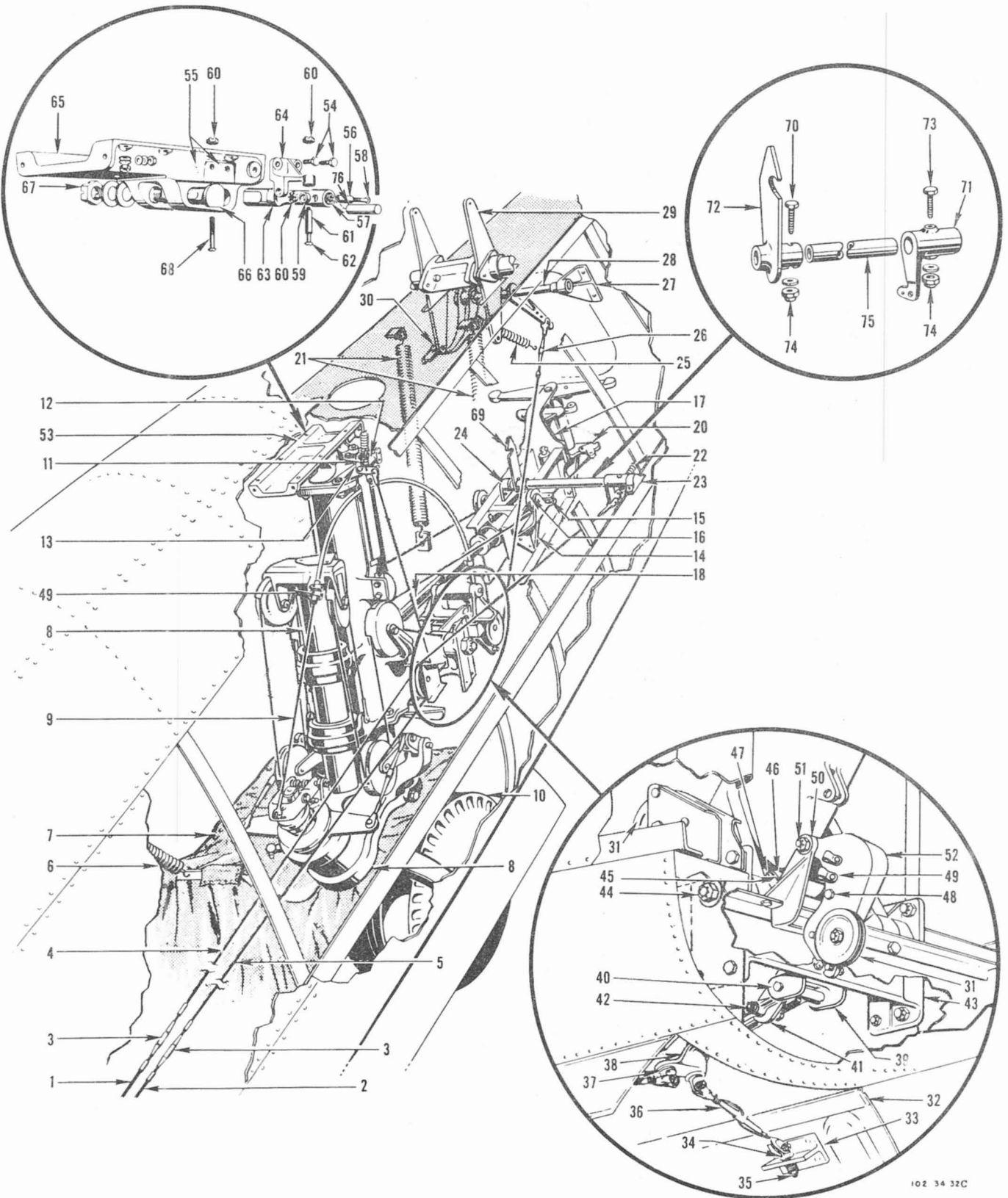
Figure 17—Main Landing Gear Fairing Door and Locking Mechanism

AN 01-60JE-4
ALIGHTING GEAR GROUP
TAIL WHEEL INSTALLATION

FIGURE & INDEX NUMBER	PART NUMBER	NOMENCLATURE	1 2 3 4 5 6 7							USAGE CODE	UNITS PER ASSY
			1	2	3	4	5	6	7		
19-1	106-34140	Cable Assy—Tail wheel up lock control front (See figure 53-32)								(ALL)	1
19-2	106-34139	Cable Assy—Tail wheel down lock control front (See figure 53-33)								(ALL)	1
19-3	AN155-16S	Barrel—Turnbuckle								(ALL)	2
19-4	102-341012	Cable Assy—Tail wheel up lock control rear								(ALL)	1
19-5	102-341013	Cable Assy—Tail wheel down lock control rear								(ALL)	1
	AN23-9	Bolt—Clevis, 10-32								(ALL)	2
	AN320-3	Nut—Aircraft shear								(ALL)	2
19-6	73-34196	Spring—Tail wheel steering cable slack take-up								(ALL)	1
19-7	91-34010-100	Cover Assy—Tail wheel hatch								(ALL)	1
	97-73021	Spring—Dust excluding cover long retaining								(ALL)	1
19-8	97-34101	Strut Assy—Tail wheel shock and steering (See figure 20-1)								(ALL)	Ref
19-9	99-34192	Cable Assy—Tail wheel declutching rear								(ALL)	1
	AN23-9	Bolt—Clevis, 10-32								(ALL)	1
	AN310-3	Nut—Aircraft castle								(ALL)	1
19-10	207946	Casing—Tail wheel 12½ x 4½ channel tread, 10 ply rating								(ALL)	1
	638000	Tube—12½ x 4½ extra high pressure								(ALL)	1
	No Number	Wheel Assy—12-1/2 x 4-1/2 tail wheel extra high pressure (GFE) (Aerno 41-9185)								(ALL)	1
19-11	73-34537	Spring—Tail wheel down position lock cable contracting								(ALL)	1
19-12	73-34518	Bearing Assy—Tail wheel down position lock operating								(ALL)	1
	A401-6	Bearing—Oilite (CHRYSLER)								(ALL)	1
19-13	73-34529	Arm—Tail wheel down position lock operating								(ALL)	1
	4B14-3-41	Bushing—Spacer								(ALL)	1
	AN23-27	Bolt—Clevis, 10-32								(ALL)	1
	AN320-3	Nut—Aircraft shear								(ALL)	1
19-14	73-34517	Bracket—Fuselage tail wheel steering cable pulley LH								(ALL)	1
	73-34517-1	Bracket—Fuselage tail wheel steering cable pulley RH								(ALL)	1
19-15	73-34148	Roller—Tail wheel steering cable								(ALL)	4
	4B14-3-24	Bushing—Spacer								(ALL)	4
	AN3-14	Bolt—Aircraft, 10-32								(ALL)	4
	AN310-3	Nut—Aircraft castle								(ALL)	4
19-16	AN210-3A	Pulley—Anti-friction bearing control								(ALL)	2
19-17	91-52433-10	Support Assy—Rudder and steerable tail wheel control bellcrank (See figure 45-17)								(ALL)	Ref
19-18	73-34503	Link—Tail wheel retracting cylinder attaching								(ALL)	1
	73-34506	Bushing—Tail wheel retracting cylinder link								(ALL)	2
	AN3-7	Bolt—Aircraft, 10-32, aft								(ALL)	1
	AN3-10	Bolt—Aircraft, 10-32, forward								(ALL)	1
	AN310-3	Nut—Aircraft castle								(ALL)	2
19-19	109-580300	Strut Assy—Hydraulic tail wheel operating complete (See figure 72-1)								(ALL)	Ref
19-20	73-34197	Link—Tail wheel steering cable attaching LH								(ALL)	2
	73-34197-1	Link—Tail wheel steering cable attaching RH								(ALL)	2
	AN3-7A	Bolt—Aircraft, 10-32 (Link to bellcrank)								(ALL)	4
	AN365-1032	Nut—Self locking (Link to bellcrank)								(ALL)	4
	AN24-11	Bolt—Clevis, 1/4-28 (Link to cable)								(ALL)	2
	AN320-4	Nut—Aircraft shear (Link to cable)								(ALL)	2
19-21	73-34196	Spring—Tail wheel steering cable slack take-up								(ALL)	2
	73-34199	Link—Tail wheel steering cable slack take-up spring								(ALL)	2
19-22	73-34528	Spring—Tail wheel retracted position lock operating								(ALL)	1
19-23	73-34513	Bearing Assy—Tail wheel retracting position lock operating outboard								(ALL)	1
19-24	73-34512	Bearing Assy—Tail wheel retracting position lock operating inboard								(ALL)	1
	A515-3	Bearing—Oilite (CHRYSLER)								(ALL)	1
	AN3-4A	Bolt—Aircraft, 10-32								(ALL)	4
	AN365-1032	Nut—Self locking								(ALL)	4
	102-341111	Shim—Tail wheel retracted position lock shaft bearing (LH only)								(ALL)	AR
19-25	73-341105	Spring—Tail wheel declutching cable slack take-up								(ALL)	1
19-26	AN155-16S	Barrel—Turnbuckle								(ALL)	1
	AN161-16LS	Fork—Turnbuckle								(ALL)	1
	AN23-11	Bolt—Clevis, 10-32								(ALL)	1
	AN320-3	Nut—Aircraft shear								(ALL)	1
19-27	99-34150	Support Assy—Tail wheel declutching camshaft LH								(ALL)	1
	99-34150-1	Support Assy—Tail wheel declutching camshaft RH								(ALL)	1
	A693	Bearing—Oilite (CHRYSLER)								(ALL)	1
	AN3-5A	Bolt—Aircraft, 10-32								(ALL)	4
	AN365-1032	Nut—Self locking								(ALL)	4
19-28	102-34149	Camshaft Assy—Tail wheel declutch cable idler								(ALL)	1
19-29	73-52223	Horn Assy—Elevator left (See figure 5-73)								(ALL)	Ref
19-30	AN200K4	Bearing—Ball, deep groove, heavy duty								(ALL)	2
	AN24-28	Bolt—Clevis, 1/4-28								(ALL)	1
	AN320-4	Nut—Aircraft shear								(ALL)	1
19-31	AN210-2A	Pulley—Anti-friction bearing control								(ALL)	3
19-32	73-31066	Door Assy—Fuselage tail wheel LH								(ALL)	1
	73-31066-1	Door Assy—Fuselage tail wheel RH								(ALL)	1
19-33	73-31067	Support Assy—Fuselage tail wheel door operating link								(ALL)	1
	4B2R8	Bushing								(ALL)	1
19-34	AN43-7	Bolt—Eye, 3/16 pin 1/4-28								(ALL)	1
19-35	AN310-4	Nut—Aircraft castle								(ALL)	1
19-36	AN155-16S	Barrel—Turnbuckle								(ALL)	2
	AN161-16LL	Fork—Turnbuckle								(ALL)	2
	AN161-16RS	Fork—Turnbuckle								(ALL)	2
	AN23-10	Bolt—Clevis, 10-32								(ALL)	4
	AN320-3	Nut—Aircraft shear								(ALL)	4
19-37	AN43-7	Bolt—Eye, 3/16 pin 1/4-28								(ALL)	2
	4B14R4-11	Bushing—Spacer								(ALL)	2
	AN310-4	Nut—Aircraft castle								(ALL)	2

Section II
Group Assembly Parts List

AN 01-60JE-4
ALIGNING GEAR GROUP



102 34 32C

Figure 19—Tail Wheel Installation

AN 01-60JE-4
ALIGHTING GEAR GROUP
TAIL WHEEL INSTALLATION

FIGURE & INDEX NUMBER	PART NUMBER	NOMENCLATURE							USAGE CODE	UNITS PER ASSY
		1	2	3	4	5	6	7		
19-38	97-34502	Bellcrank Assy—Tail wheel door operating (Supersedes 73-34536 and 73-34502)							(ALL)	1
	A507-1	Bushing—Oilite (CHRYSLER)							(ALL)	2
19-39	73-34508	Fitting Assy—Tail wheel door operating bellcrank support							(ALL)	1
	AN200K3L	Bearing—Ball, deep groove, heavy duty							(ALL)	2
19-40	AN3-27	Bolt—Aircraft, 10-32							(ALL)	1
	AN310-3	Nut—Aircraft castle							(ALL)	1
19-41	73-34504	Link Assy—Tail wheel door operating mechanism							(ALL)	1
	AN200K3L	Bearing—Ball, deep groove, heavy duty							(ALL)	2
19-42	AN3-11	Bolt—Aircraft, 10-32 (Link to strut)							(ALL)	1
	AN310-3	Nut—Aircraft castle (Link to strut)							(ALL)	1
19-43	AN3-15	Bolt—Aircraft, 10-32							(ALL)	1
	AN310-3	Nut—Aircraft castle							(ALL)	1
19-44	73-31114-2	Support Assy—Tail wheel shock strut							(ALL)	1
	104-34118	Bushing—Tail wheel shock strut support							(ALL)	2
19-45	AN10-36	Bolt—Aircraft, 5/8-18							(ALL)	2
	AN310-3	Nut—Aircraft castle							(ALL)	2
19-46	2W2S40-64-40	Washer—Thrust							(ALL)	AR
	2W2S40-64-32	Washer—Thrust							(ALL)	AR
19-47	2W2S40-64-65	Washer—Thrust							(ALL)	AR
	2W2S40-64-60	Washer—Thrust							(ALL)	AR
19-48	2W2S40-64-55	Washer—Thrust							(ALL)	AR
	4B14R10-48	Bushing—Spacer, RH side							(ALL)	1
19-49	4B14R10-46	Bushing—Spacer, LH side							(ALL)	1
	99-34154	Fitting Assy—Tail wheel declutching cable idler link attaching							(ALL)	1
19-50	4B14-3-4	Bushing—Spacer							(ALL)	1
	99-34152	Link Assy—Tail wheel declutching cable idler actuating							(ALL)	1
19-51	A505-7	Bushing—Oilite (CHRYSLER)							(ALL)	2
	2W1-13-20-63	Washer—Plain							(ALL)	4
19-52	4B14-3-5	Bushing—Spacer							(ALL)	2
	NAS205-15	Screw—100° flush head, phillips recess, alloy steel, 10-32							(ALL)	1
19-53	AN365-1032	Nut—Self locking							(ALL)	1
	AN3-7	Bolt—Aircraft, 10-32							(ALL)	1
19-54	4B14-3-7	Bushing—Spacer							(ALL)	1
	AN310-3	Nut—Aircraft castle							(ALL)	1
19-55	AN742D4	Clamp—Loop Type Support							(ALL)	1
	99-34153	Support—Tail wheel declutching cable idler							(ALL)	1
19-56	AN3-26	Bolt—Aircraft, 10-32							(ALL)	1
	AN310-3	Nut—Aircraft castle							(ALL)	1
19-57	4B14-3-57	Bushing—Spacer							(ALL)	1
	106-34143	Bellcrank Assy—Tail wheel declutching cable idler							(ALL)	1
19-58	A503	Bushing—Oilite (CHRYSLER)							(ALL)	1
	4S4D4-10	Spacer—Rivet							(ALL)	2
19-59	104-34505	Lock Assy—Tail wheel down position							(ALL)	1
	AN3-6A	Bolt—Aircraft, 10-32							(ALL)	2
19-60	AN365-1032	Nut—Self locking							(ALL)	2
	4B14R3-31	Bushing—Spacer							(ALL)	1
19-61	73-34530	Spring—Tail wheel down position lock pin							(ALL)	1
	AN23-20	Bolt—Clevis, 10-32							(ALL)	1
19-62	4B14R5-6	Bushing—Spacer							(ALL)	1
	AN320-3	Nut—Aircraft shear							(ALL)	3
19-63	4B14R3-28	Bushing—Spacer							(ALL)	1
	AN23-26	Bolt—Clevis, 10-32							(ALL)	1
19-64	104-34531	Pin—Tail wheel down position lock							(ALL)	1
	73-34164	Retainer—Tail wheel spring							(ALL)	1
19-65	73-34161-10	Fitting Assy—Tail wheel down position support							(ALL)	1
	4B8R15	Bushing (Front)							(ALL)	1
19-66	4B8R25	Bushing (Front)							(ALL)	1
	NAS2-101	Lubrication Fitting							(ALL)	1
19-67	104-34533	Bushing—Tail wheel down position lock shaft rear							(ALL)	1
	73-34163-10	Pin—Tail wheel down position strut stop							(ALL)	1
19-68	AN320-9	Nut—Aircraft shear							(ALL)	1
	AN23-27	Bolt—Clevis, 10-32							(ALL)	1
19-69	73-34527	Lock Assy—Tail wheel retracted position							(ALL)	1
	AN3-11A	Bolt—Aircraft, 10-32							(ALL)	1
19-70	73-34515	Bellcrank—Tail wheel retracted position lock operating							(ALL)	1
	73-34510	Hook Assy—Tail wheel retracted position locking							(ALL)	1
19-71	AN3-7A	Bolt—Aircraft, 10-32							(ALL)	1
	AN365-1032	Nut—Self locking							(ALL)	2
19-72	73-34526	Shaft—Tail wheel retracted position lock operating							(ALL)	1
	52A1248-1	Pin—Lock pin retainer							(ALL)	1

*1 NOTE: Parts marked thus removed from aircraft modified in accordance with T.O. 1F-51D-45.

*2 NOTE: Parts marked thus used on aircraft modified in accordance with T.O. 1F-51D-45.

AN 01-60JE-4
ALIGNING GEAR GROUP

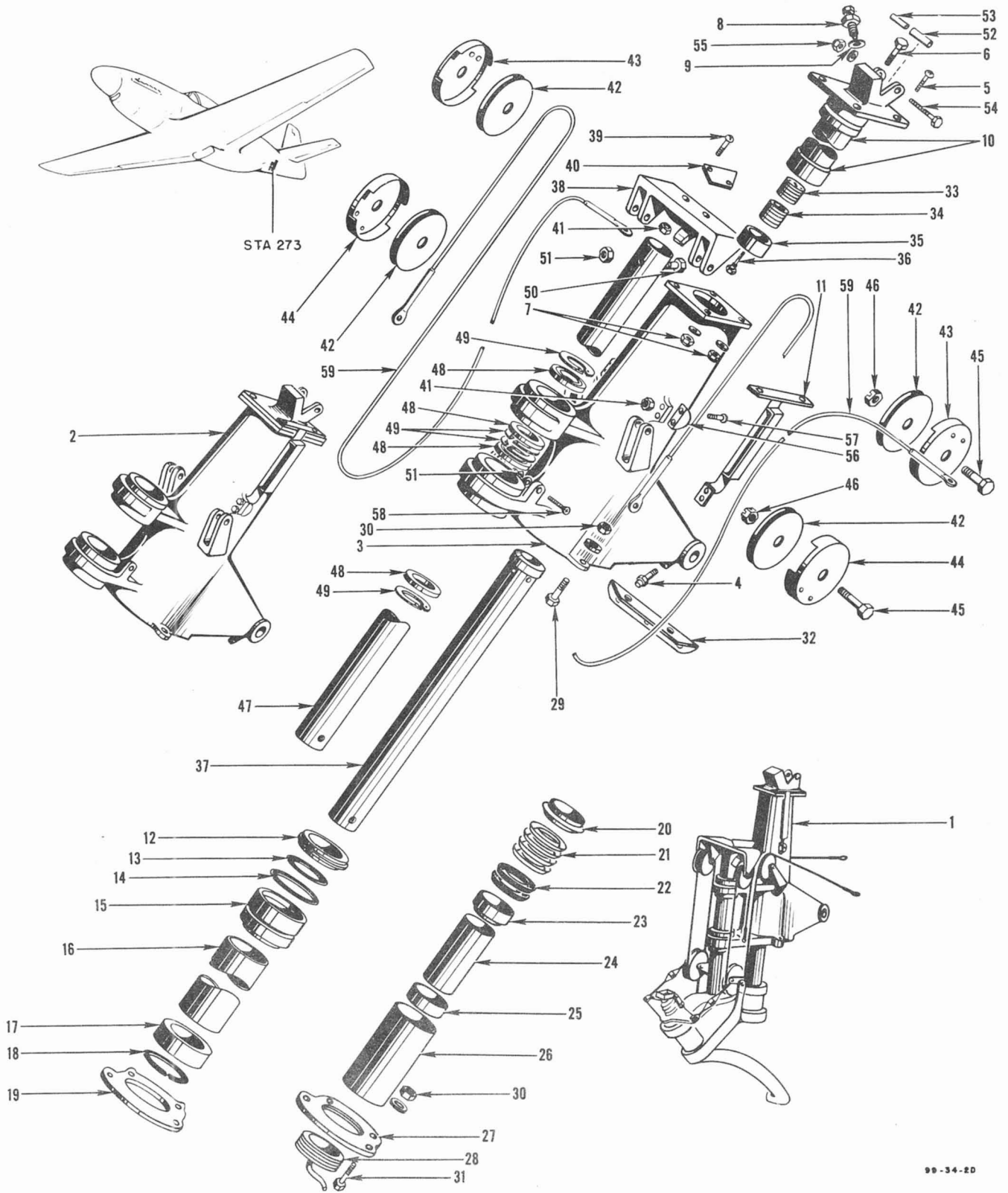


Figure 20—Tail Wheel Shock Strut

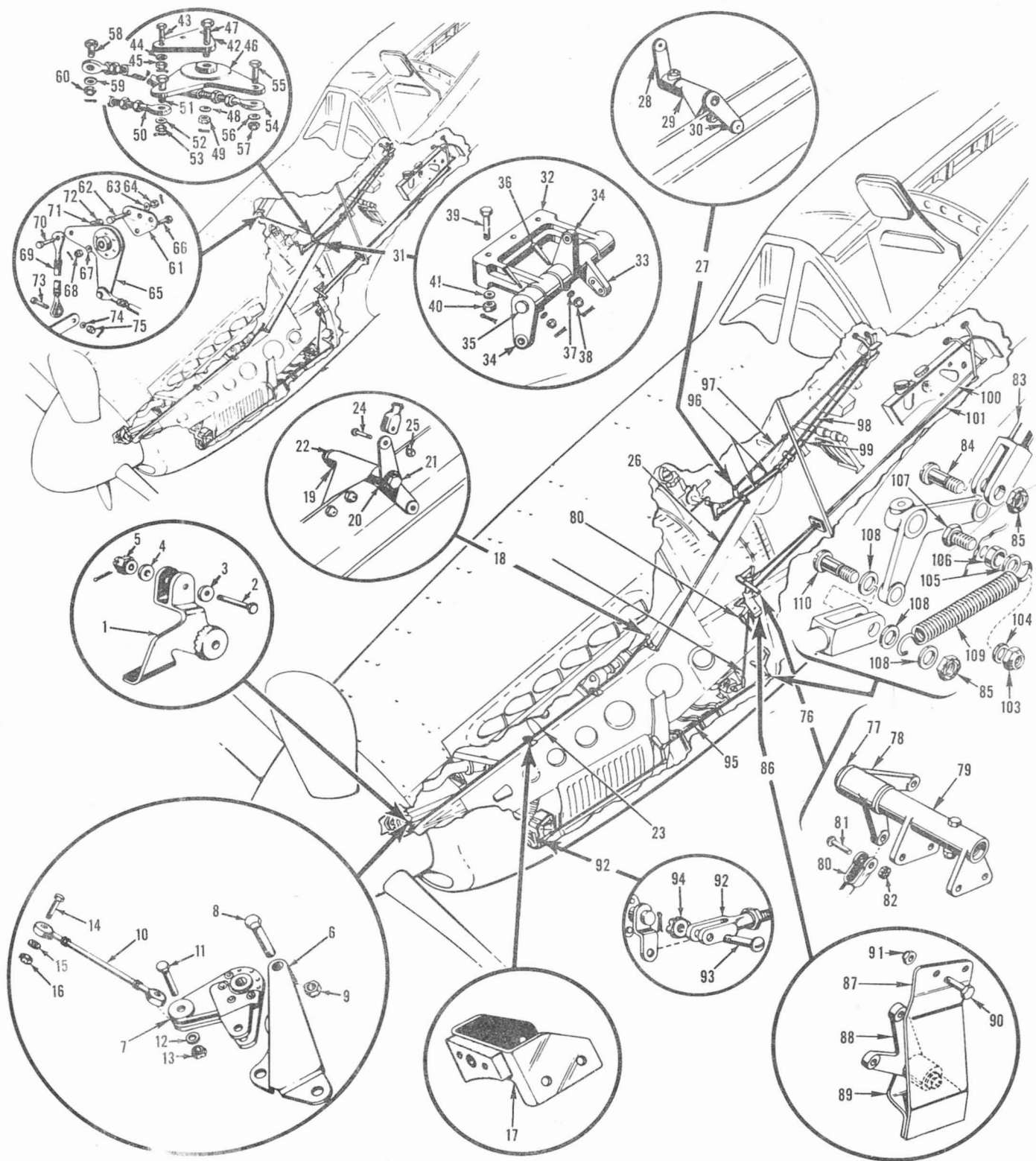
99-34-20

POWER PLANT GROUP
ENGINE, ENGINE ACCESSORIES AND SPINNER INSTALLATION

FIGURE AND INDEX NUMBER	PART NUMBER	NOMENCLATURE							USAGE CODE	UNITS PER ASSY
		1	2	3	4	5	6	7		
		Installation Power Plant.....							(ALL)	NP
22	106-40001									
22-1	6523A24	Blade Assy—Propeller (Hamilton) (GFE).....							(A-J, P, RA-RC)	4
	A20-146-24M	Blade Assy—Propeller (Aeroproducts) (GFE).....							(K-N)	4
	6547A6	Blade Assy—Propeller (Hamilton) (GFE).....							(RD-T)	4
22-2	24D50-65	Hub Assy—Propeller (Hamilton) (GFE).....							(A-J, P-Q)	1
	A542A1	Hub Assy—Propeller (Aeroproducts) (GFE) (Includes governor).....							(K-N)	1
	109-44902	Spinner Assy—Complete spare (Supersedes 104-44002 and 104-44002RA).....							(A-J, P-Q)	1
	109-44002	Spinner Assy—Complete.....							(K-N)	1
22-3	104-44002-4	Spinner Assy—Propeller front.....							(A-J, P-Q)	1
	109-44002-2	Spinner Assy—Propeller front.....							(K-N)	1
22-3A	124-44011	Ring—Spinner air seal reinforcing.....							(A-J, P-Q)	1
22-4	73-44029	Plug—Spinner nose closing.....							(ALL)	1
22-5	102-44026	Bracket Assy—Spinner attaching.....							(A-J, P-Q)	8
22-6	102-44023	Bracket—Spinner attaching stud.....							(A-J, P-Q)	8
22-7	73-44024	Stud—Spinner attaching.....							(A-J, P-Q)	8
22-8	125-20	Bracket Assy—Spinner attaching (Aircraftsmen) (Used on Spinner 109-44002-2 only).....							(K-N)	8
22-9	125-10	Clevis—Spinner attaching (Aircraftsmen) (Used on spinner 109-44002-3 only).....							(K-N)	8
22-10	104-44002-5	Spinner Assy—Propeller rear.....							(A-J, P-Q)	1
	109-44002-3	Spinner Assy—Propeller rear.....							(K-N)	1
22-11	102-44014	Cover Assy—Propeller spinner governor access hole.....							(ALL)	1
22-12	109-44009	Seal Assy—Spinner air (Supersedes 102-44008 and 102-44009).....							(A-J, P-Q)	1
22-13	104-44005-2	Spacer—Spinner mounting bolt outer.....							(A-J, P-Q)	8
22-14	104-44004	Spacer—Spinner mounting bolt inner.....							(A-J, P-Q)	8
22-15	4G10G21D	Governor Assy—(Hamilton) (GFE).....							(A-J, P-RFA)	1
	4G10G29G	Governor Assy—(Hamilton) (GFE).....							(RGA-T)	1
	57354D	Gasket—Governor (Hamilton) (GFE).....							(A-J, P-Q)	1
	106-40002	Power Plant Assy.....							(B-C, J-L)	1
	106-40002-2	Power Plant Assy.....							(D-E, M-S)	1
	124-40002	Power Plant Assy.....							(T)	1
	106-42011	Equipment Instal—Engine and accessories engine section.....							(ALL)	NP
	102-42005	Equipment Instal—Engine exhaust sys. LH.....							(ALL)	NP
	102-42005-1	Equipment Instal—Engine exhaust sys. RH.....							(ALL)	NP
22-16	102-42019	Shroud Assy—Engine exhaust LH (See figure 8-28).....							(ALL)	1
	102-42019-1	Shroud Assy—Engine exhaust RH (See figure 8-28).....							(ALL)	1
22-17	104-42009	Stack Assy—Jet type bulged exhaust LH.....							(ALL)	6
	104-42009-1	Stack Assy—Jet type bulged exhaust RH.....							(ALL)	6
	0522AA10	Nut—Self-locking stainless steel, 5/16-22 (BFT) (Deltron).....							(A-S)	48
	AN960C516	Washer—Plain.....							(A-S)	48
22-18	102-42023	Fairing Assy—Exhaust stack LH (See figure 8-2).....							(ALL)	1
	102-42023-1	Fairing Assy—Exhaust stack RH (See figure 8-2).....							(ALL)	1
22-19	V1650-7	Engine Assy—Packard (GFE).....							(A-S)	1
	V1650-9A	Engine Assy—Packard (GFE).....							(T)	1
22-20	109-42171	Line—Boost mixture drain to overboard second section (Supersedes 106-42171).....							(ALL)	1
22-21	AN878-6-40	Hose—Oil and coolant synthetic (Supersedes 102-42170).....							(ALL)	1
22-22	102-42147	Fitting Assy—Generator blast tube lower.....							(ALL)	1
22-23	AN878-16-44	Hose—Oil and coolant synthetic.....							(ALL)	1
	106-54011	Equipment Instal—Electrical sys. engine section (See figure 75).....							(B, J-K)	NP
	109-54011	Equipment Instal—Electrical sys. engine section (See figure 75).....							(C-D, L-P, F)	NP
	122-54011	Equipment Instal—Electrical sys. engine section (See figure 75).....							(G)	NP
	122-541011	Equipment Instal—Electrical sys. engine section (See figure 75).....							(H, R-S)	NP
	124-54011	Equipment Instal—Electrical sys. engine section (See figure 75).....							(T)	NP
	106-51011	Equipment Instal—Instrument sys. engine section (See figure 43).....							(B-C, J-L)	NP
	109-517011	Equipment Instal—Instrument sys. engine section (See figure 43).....							(D, F-G, M-P)	NP
	122-51010	Equipment Instal—Instrument sys. engine section (See figure 43).....							(H, R-S)	NP
	124-51011	Equipment Instal—Instrument sys. engine section (See figure 43).....							(T)	NP
22-24	102-42140	Tube Assy—Plug blast LH.....							(ALL)	1
22-25	102-42140-1	Tube Assy—Plug blast RH.....							(ALL)	1
22-26	102-42150	Fitting Assy—Generator blast tube upper.....							(ALL)	1
22-27	AN878-16-53	Hose—Oil and coolant synthetic (Supersedes 102-42148).....							(ALL)	1
	106-31511	Cowling Instal—Engine removable (See figure 3).....							(ALL)	NP
	106-42111	Equipment Instal—Carburetor air induction system (See figure 25).....							(ALL)	NP
	106-43011	Controls Instal—Engine compartment engine (See figure 23).....							(A-S)	NP
	124-43311	Controls Instal—Engine compartment engine (See figure 23).....							(T)	NP
	106-46011	Equipment Instal—Oil sys. engine compartment (See figure 29).....							(ALL)	NP
	106-47011	Equipment Instal—Coolant sys. engine compartment (See figure 26).....							(ALL)	NP
	106-48011	Equipment Instal—Fuel sys. engine compartment (See figures 33 and 34).....							(ALL)	NP
	106-58011	Equipment Instal—Hydraulic engine section (See figure 54).....							(ALL)	NP
	102-31901-100	Mount Assy—Engine (See figure 9).....							(ALL)	Ref.

Section II
Group Assembly Parts List

AN 01-60JE-4
POWER PLANT GROUP



122-43-358

Figure 23—Engine Control System

Section II
Group Assembly Parts List

AN 01-60JE-4
POWER PLANT GROUP
ENGINE CONTROL SYSTEM

FIGURE AND INDEX NUMBER	PART NUMBER	NOMENCLATURE	USAGE						UNITS PER ASSY
			1	2	3	4	5	6	
23	106-43011	Control Instal—Engine compartment engine						(A, E, I, R-S)	NP
	124-43011	Control Instal—Engine compartment engine						(T)	NP
23-1	102-44032	Bellcrank Assy—Propeller control front						(A-J, P-Q)	1
23-2	AN3-10	Bolt—Aircraft, 10-32						(A-J, P-Q)	1
23-3	AN960-10L	Washer—Plain						(A-J, P-Q)	1
23-4	AN960-10	Washer—Plain						(A-J, P-Q)	1
23-5	AN310-3	Nut—Aircraft castle						(A-J, P-Q)	1
23-6	109-43102	Support Assy—Aeroprop manual control bellcrank						(K-N)	1
23-7	124-43101	Bellcrank Assy—Aeroprop manual control (Supersedes 109-43101)						(K-N)	1
23-8	AN4-16	Bolt—Aircraft, 1/4-28						(K-N)	1
23-9	AN310-4	Nut—Aircraft castle						(K-N)	1
23-10	124-43104	Link Assy—Aero prop manual control front (Supersedes 109-43104, 109-43107, 109-43108, and 109-43109)						(K-N)	1
23-11	AN4-11	Bolt—Aircraft, 1/4-28						(K-N)	1
23-12	AN960-416	Washer—Plain						(K-N)	1
23-13	AN310-4	Nut—Aircraft castle						(K-N)	1
23-14	AN24-16	Bolt—Clevis, 1/4-28						(K-N)	1
23-15	AN960-416	Washer—Aircraft castle						(K-N)	1
23-16	AN320-4	Nut—Aircraft shear						(K-N)	1
23-17	109-44027	Fairlead Assy—Propeller pitch control front rod sta. 27.247 (Supersedes 104-44033)						(ALL)	2
23-18	106-44059	Jackshaft Assy—Propeller pitch control station 40 7/16						(ALL)	1
23-19	106-44057	Housing—Propeller pitch control sta. 40 7/16						(ALL)	1
23-20	106-44058	Bellcrank Assy—Propeller pitch control sta. 40 7/16						(ALL)	1
23-21	AN3-10A	Bolt—Aircraft, 10-32						(ALL)	2
23-22	AN365-1032	Nut—Self locking						(ALL)	2
23-23	106-44066	Rod Assy—Propeller pitch control sta. 40 7/16 to governor						(BA-BI, JA-JF)	1
	109-44066	Rod Assy—Propeller pitch control sta. 40 7/16 to governor						(BJ-E, JG-G)	1
	AN271B8	Joint—Aircraft universal heavy duty						(BJ-E, JG-G)	1
23-24	AN24-13	Bolt—Clevis, 1/4-28						(ALL)	1
23-25	AN320-4	Nut—Aircraft shear						(ALL)	1
23-26	106-44065	Rod Assy—Propeller pitch control station, 40 7/16 to 66 1/2						(A, E, I)	1
	122-44065	Rod Assy—Propeller pitch control station, 40 7/16 to 66 1/2						(H, R-S)	1
	124-44302	Rod Assy—Propeller pitch control, 40 7/16 to 70 11/16						(T)	1
23-27	106-44051	Jackshaft Assy—Propeller pitch and hot air control sta., 66 1/2						(A, E, I, H, R-S)	1
23-28	106-44055	Bellcrank Assy—Propeller pitch control sta., 66 1/2						(A, E, I, H, R-S)	1
23-29	106-44056	Housing—Propeller and hot air control sta., 66 1/2						(A, E, I, H, R-S)	1
23-30	106-44054	Shaft Assy—Propeller pitch and carburetor hot air control sta., 66 1/2						(A, E, I, H, R-S)	1
23-31	124-43314	Jackshaft Assy—Propeller governor and throttle control						(T)	1
23-32	124-43315	Housing—Propeller governor and throttle control jackshaft						(T)	1
23-33	124-43316	Bellcrank Assy—Throttle control station 70.62						(T)	1
23-34	124-44303	Bellcrank—Propeller pitch control						(T)	2
23-35	124-43317	Shaft—Propeller governor and throttle control						(T)	1
23-36	AN386-1-7	Pin—Threaded taper						(T)	2
23-37	AN975-3	Washer—Taper pin						(T)	2
23-38	AN310-3	Nut—Aircraft castle						(T)	2
23-39	AN3-16	Bolt—Aircraft, 10-32						(T)	3
23-40	AN310-3	Nut—Aircraft castle						(T)	3
23-41	AN960-10L	Washer—Plain						(T)	3
23-42	124-43318	Plate—Mixture controls bellcrank support LH						(T)	1
23-43	AN3-6	Bolt—Aircraft, 10-32						(T)	3
23-44	AN960-10L	Washer—Plain						(T)	3
23-45	AN310-3	Nut—Aircraft castle						(T)	3
23-46	124-43320	Bellcrank Assy—Engine mixture control LH						(T)	1
23-47	AN4-12	Bolt—Aircraft, 1/4-28						(T)	1
23-48	AN960-416	Washer—Plain						(T)	1
23-49	AN310-4	Nut—Aircraft castle						(T)	1
23-50	124-43323	Rod Assy—Mixture control LH bellcrank to RH bellcrank						(T)	1
23-51	AN3-10	Bolt—Aircraft, 10-32						(T)	2
23-52	AN960-10	Washer—Plain						(T)	2
23-53	AN310-3	Nut—Aircraft castle						(T)	2
23-54	124-43326	Rod Assy—Throttle control bellcrank to master selector lever						(T)	1
23-55	AN3-11	Bolt—Aircraft, 10-32						(T)	1
23-56	AN960-10	Washer—Plain						(T)	1
23-57	AN310-3	Nut—Aircraft castle						(T)	1
23-58	AN4-11	Bolt—Aircraft, 1/4-28						(T)	1
23-59	AN960-416	Washer—Plain						(T)	1
23-60	AN310-4	Nut—Aircraft castle						(T)	1
23-61	124-43319	Plate—Mixture control bellcrank support LH						(T)	1
23-62	AN3-6	Bolt—Aircraft, 10-32						(T)	3
23-63	AN960-10L	Washer—Plain						(T)	3
23-64	AN310-3	Nut—Aircraft castle						(T)	3
23-65	124-43321	Bellcrank Assy—Engine mixture control RH side						(T)	1
23-66	AN4-12	Bolt—Aircraft, 1/4-28						(T)	1
23-67	AN960-416	Washer—Plain						(T)	1
23-68	AN310-4	Nut—Aircraft castle						(T)	1
23-69	124-43324	Rod Assy—Mixture control RH bellcrank to carburetor fuel control						(T)	1
23-70	AN4-11	Bolt—Aircraft, 1/4-28						(T)	1
23-71	AN960-416	Washer—Plain						(T)	1
23-72	AN310-4	Nut—Aircraft castle						(T)	1
23-73	AN3-10	Bolt—Aircraft, 10-32						(T)	1
23-74	AN960-10	Washer—Plain						(T)	1
23-75	AN310-3	Nut—Aircraft castle						(T)	1
23-76	109-42293	Shaft Assy—Carburetor air control sta. 63 3/4						(E, N, P, Q)	1
	104-42291-50	Shaft Assy—Carburetor air control sta. 63 3/4						(A, J-M)	1
23-77	109-42273	Shaft—Carburetor air control sta. 63 3/4						(E, N, P, Q)	1
23-78	109-42286	Bellcrank Assy—Carburetor hot air control						(E, N, P, Q)	1
	109-42287	Bellcrank Assy—Carburetor hot air control						(A, J-M)	1
23-79	104-42272	Housing—Carburetor air control station 63 3/4						(E, N, P, Q)	1
23-80	109-42290	Rod Assy—Carburetor hot air control jackshaft to actuating arm						(E, N, P, Q)	1
23-81	AN24-13	Bolt—Clevis, 1/4-28						(E, N, P, Q)	2

Section II

AN 01-60JE-4

Group Assembly Parts List

POWER PLANT GROUP
ENGINE CONTROL SYSTEM

FIGURE AND INDEX NUMBER	PART NUMBER	NOMENCLATURE						USAGE CODE	UNITS PER ASSY
		1	2	3	4	5	6		
23-82	AN320-4	Nut—Aircraft shear						(E, N, P, Q)	2
23-83	104-42276	Rod Assy—Carburetor air control sta. 55 1/8 to 63 3/4						(A, J-M)	1
	109-42292	Rod Assy—Carburetor air control sta. 63 3/4 to 55 1/8						(FA-FD)	1
	109-42296	Rod Assy—Carburetor air control sta. 63 3/4 to 55 1/8						(FE-H, N-Q)	1
23-84	AN24-13	Bolt—Clevis, 1/4-28						(ALL)	1
23-85	AN320-4	Nut—Aircraft shear						(ALL)	1
23-86	109-42288	Jackshaft Assy—Carburetor air control						(FA-FD)	1
	109-42288-100	Jackshaft Assy—Carburetor air control						(FE-HD, N-T)	1
23-87	109-42285	Plate—Carburetor air control						(FA-FD, FE-HD, N-Q)	1
23-88	109-42287	Bellcrank Assy—Ram carburetor						(FA-FD, FE-HD, N-Q)	1
23-89	109-44027	Bracket—Carburetor air control						(FA-FD, FE-HD, N-Q)	1
23-90	AN3-6A	Bolt—Aircraft, 10-32						(FA-FD)	2
	AN3-7A	Bolt—Aircraft, 10-32						(FE-HD, N-Q)	2
23-91	AN365-1032	Nut—Self locking						(ALL)	2
23-92	104-42343	Rod Assy—Carburetor ram air control station 26 3/4 to ram air door						(ALL)	1
23-93	AN24-11	Bolt—Clevis, 1/4-28						(ALL)	1
	AN24-12	Bolt—Clevis, 1/4-28						(ALL)	1
23-94	AN320-4	Nut—Aircraft shear						(ALL)	2
23-95	104-42331	Rod Assy—Carburetor air control station 26 3/4 to 55 1/8						(ALL)	1
23-96	104-43820	Rod Assy—Engine mixture and throttle control firewall to jackshaft						(ALL)	2
	106-43013	Controls Instal—Fus engine						(ALL)	NP
23-97	109-44052	Rod Assy—Propeller pitch control quadrant through firewall						(B, J, K)	1
	109-44053	Rod Assy—Propeller pitch control sta. 111 5/32 through firewall						(CE, L-Q)	1
23-98	109-43816	Rod Assy—Throttle control quadrant through firewall						(ALL)	1
23-99	109-43815	Rod Assy—Mixture control quadrant through firewall						(ALL)	1
23-100	109-42289	Rod Assy—Carburetor hot air control pedestal to jackshaft						(ENP)	1
23-101	106-42269	Rod Assy—Carburetor ram and filtered air control pedestal						(A, J-M)	1
	109-42269	Rod Assy—Carburetor ram and filtered air control pedestal						(FE-H, N-Q)	1
	109-42291	Rod Assy—Carburetor ram air control pedestal to jackshaft						(FCC-FD)	1
23-102	104-43005	Quadrant Assy—Engine control (See figure 24)						(B-CCA, JA-JD)	Ref.
	104-43005-100	Quadrant Assy—Engine control (See figure 24)						(CDA-PF, JE-N)	Ref.
	122-43005	Quadrant Assy—Engine control (See figure 24)						(FG-H, P, Q)	Ref.
23-103	AN365-1032	Nut—Self locking 10-32 250°F						(ALL)	1
23-104	AN960-10L	Washer—Flat						(ALL)	1
23-105	AN960-10	Washer—Flat						(ALL)	1
23-106	4S3-10-4	Spacer—Bolt (NAA)						(ALL)	1
23-107	AN3-5A	Bolt—Aircraft 10-32						(ALL)	1
23-108	AN960-416L	Washer—Flat						(ALL)	2
23-109	54-35553	Spring—Tension						(ALL)	1
23-110	AN24-15	Bolt—Clevis 1/4-28						(ALL)	1

POWER PLANT GROUP

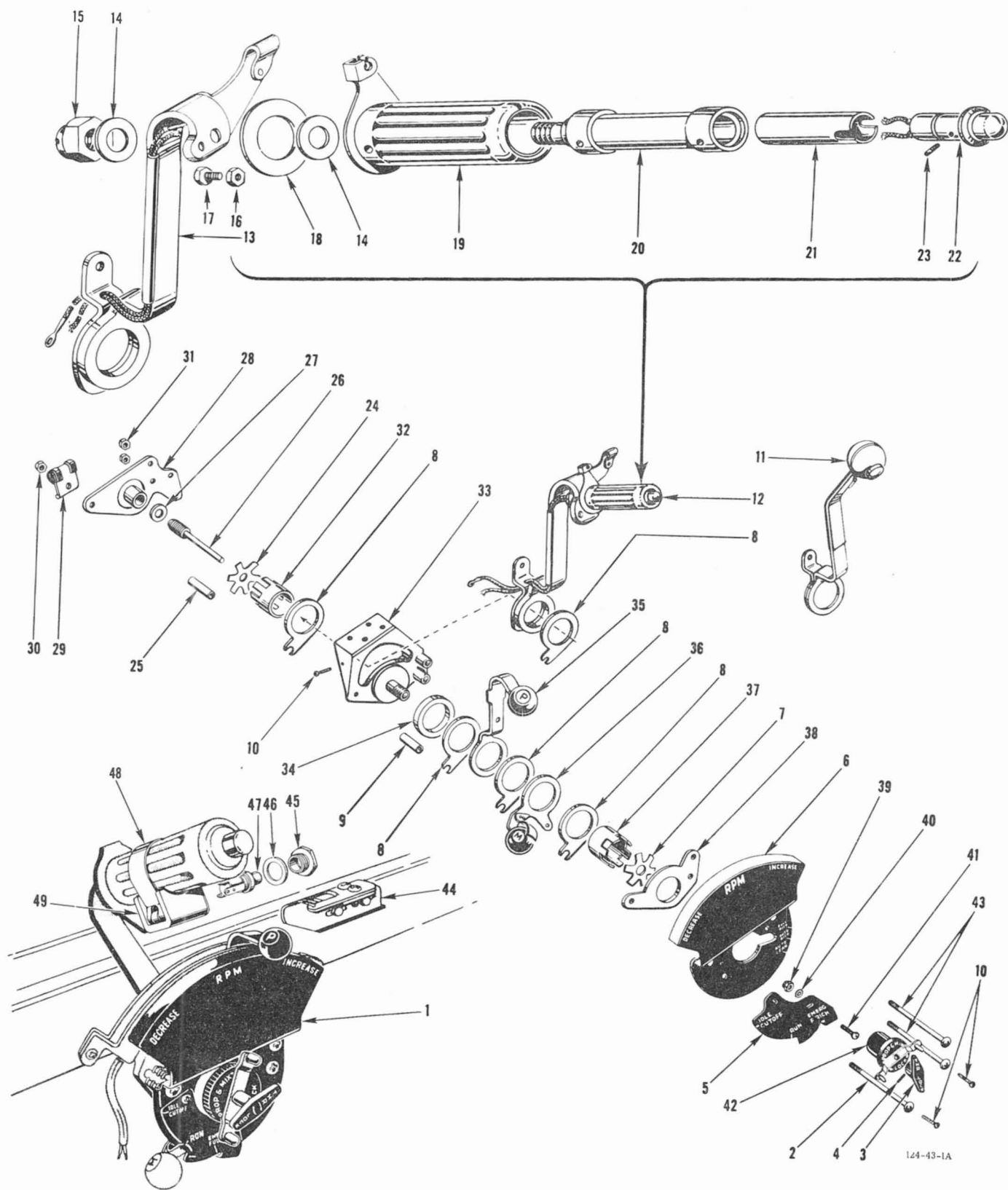


Figure 24—Engine Control Quadrant Assembly

AN 01-60JE-4
POWER PLANT GROUP

ENGINE CONTROL QUADRANT ASSEMBLY

FIGURE AND INDEX NUMBER	PART NUMBER	1	2	3	4	5	6	NOMENCLATURE	USAGE CODE	UNITS PER ASSY
24-1	104-43005							Quadrant Assy—Engine control (See figure 23)	(B-CCA, JA-JD)	1
	104-43005-100							Quadrant Assy—Engine control (See figure 23)	(CDA-FF, JE-N)	1
	122-43005							Quadrant Assy—Engine control (See figure 23)	(FG-H, P, Q)	1
24-2	751-10-48							Screw—Button head	(ALL)	1
24-3	104-43140							Knob—Engine	(ALL)	1
24-4	No Number							Groov Pin—Type I (GROOV PIN)	(ALL)	1
24-5	104-43136							Stop—Engine control quadrant name plate	(CDA-E, JE-Q)	1
24-6	104-43130							Plate—Engine control quadrant name	(ALL)	1
24-7	104-43176							Spring—Engine control quadrant propeller and mixture friction	(ALL)	1
24-8	104-43141							Plate—Engine control quadrant friction	(ALL)	5
24-9	4B14-3-29							Bushing—Spacer	(ALL)	1
24-10	AN530-6R6							Screw—Round head sheet metal	(ALL)	3
24-11	104-43144-50	*						Lever Assy—Engine control quadrant throttle	(A-FF, J-N)	1
24-12	109-43201-50							Lever Assy—Throttle and K14 gunsight range control complete	(FG-H, P, Q)	1
24-13	122-43206							Lever Assy—Throttle and K14 gunsight control (Supersedes 109-43206)	(FG-H, P, R)	1
	122-43206-10							Lever Assy—Throttle and K14 gunsight control	(S-T)	1
24-14	2W1-32-28-32							Washer—Plain	(FG-H, P, Q)	2
24-15	AN365-820							Nut—Self locking	(FG-H, P, Q)	1
24-16	AN3-4A							Bolt—Aircraft, 10-32	(FG-H, P, Q)	1
24-17	AN345-10							Nut—Light hexagon, fine thread	(FG-H, P, Q)	1
24-18	2W1-58-60-32							Washer—Plain	(FG-H, P, Q)	1
24-19	109-43203							Handle Assy—K14 gunsight range control cable operating	(FG-H, P, Q)	1
24-20	109-43202							Fitting—K14 gunsight range control attach	(FG-H, P, Q)	1
24-21	104-43155							Tube—Microphone switch insulating	(FG-H, P, Q)	1
24-22	9390-987E							Switch—Push button (SQUARE D)	(FG-H, P, Q)	1
24-23	566B4-3							Screw—Headless set	(FG-H, P, Q)	2
24-24	104-43177							Spring—Engine control quadrant rear	(ALL)	1
24-25	4B14-3-32							Bushing—Spacer	(ALL)	1
24-26	104-43116							Shaft—Engine control quadrant throttle lever friction	(ALL)	1
24-27	2W1-17-20-31							Washer—Plain	(ALL)	1
24-28	106-43117							Plate Assy—Engine control quadrant rear (Supersedes 104-43117)	(ALL)	1
24-29	3044SF0							Clip—Wire (TINNERMAN)	(ALL)	1
24-30	AN365-1032							Nut—Self locking	(ALL)	1
24-31	AN365-428							Nut—Self locking	(ALL)	2
24-32	104-43179							Cylinder—Engine control quadrant rear	(ALL)	1
24-33	104-43005-3							Rivet Assy—Engine control quadrant	(A-FF, J-N)	1
	122-43005-3							Rivet Assy—Engine control quadrant	(FG-H, P, Q)	1
24-34	104-43137							Spacer—Engine control quadrant	(ALL)	1
24-35	104-43131-50							Lever Assy—Propeller pitch control (Supersedes 104-43131)	(ALL)	1
24-36	104-43129							Lever Assy—Engine control quadrant mixture	(B-CF, J-JD)	1
	104-43142							Lever Assy—Engine control quadrant mixture	(CG-E, JE-Q)	1
24-37	104-43133							Cylinder—Engine control quadrant front	(ALL)	1
24-38	104-43132							Plate—Engine control quadrant front	(ALL)	1
24-39	AN365-832							Nut—Self locking	(CDA-E, JE-Q)	1
24-40	AN960-8							Washer—Plain	(CDA-E, JE-Q)	1
24-41	751-8-8							Screw—Button head	(CDA-E, JE-Q)	1
24-42	104-43121							Knob Assy—Engine control quadrant propeller and mixture friction complete	(ALL)	1
24-43	751-416-48							Screw—Button head	(ALL)	2
24-44	104-43169							Stop Assy—Throttle lever	(ALL)	1
24-45	149-54094	*1						Nut—K14 and K18 gunsight throttle switch housing	(FG-H,P,Q)	1
24-46	2W1C56-34-32	*1						Washer—Plain (NAA)	(FG-H,P,Q)	1
24-47	138106	*1						Switch Assy—Push button SPST black button (UCINITE)	(FG-H,P,Q)	1
24-48	149-54092	*1						Strap Assy—K14 and K18 gunsight throttle switch	(FG-H,P,Q)	1
24-49	149-54091	*1						Housing Assy—K14 and K18 gunsight throttle switch	(FG-H,P,Q)	1

*1 NOTE: Refer to T.O. 1F-51-201.

*109-43201 replaces 104-43144-50 on all airplanes equipped with K14A gunsight.

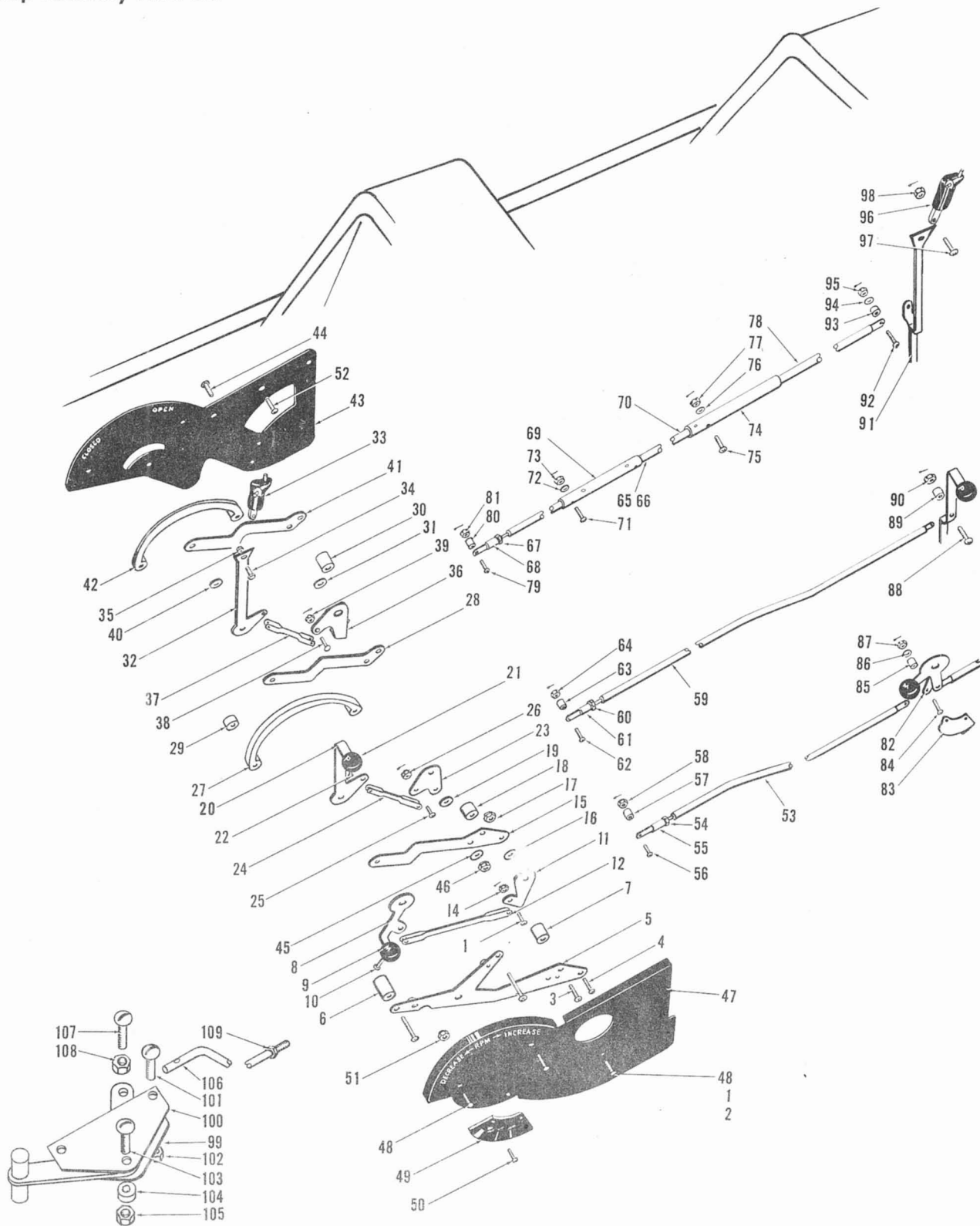


Figure 24A—Engine Controls Installation

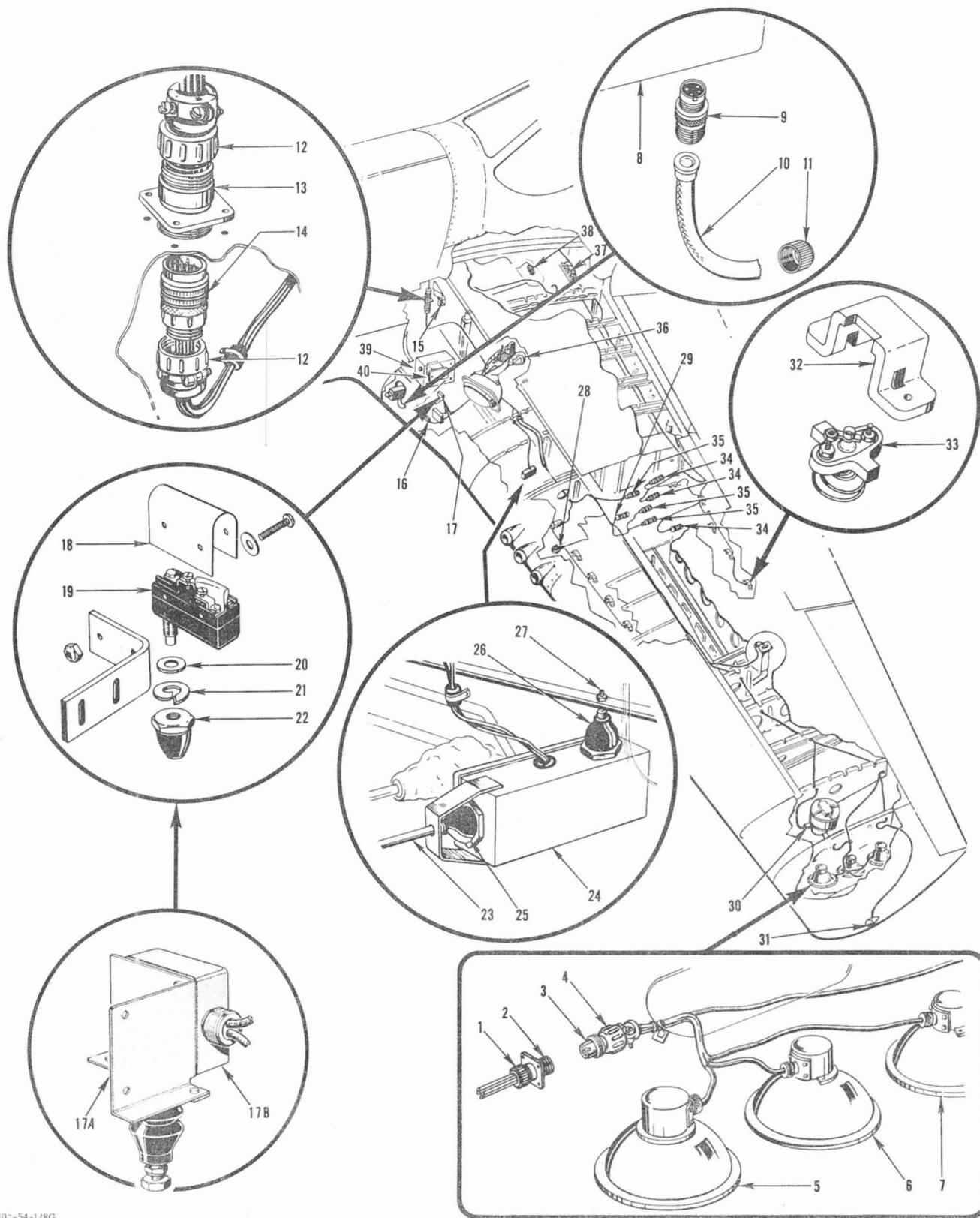
TF-51D

AN 01-60JE-4
ELECTRICAL GROUP
ENGINE SECTION ELECTRICAL GROUP

FIGURE AND INDEX NUMBER	PART NUMBER	NOMENCLATURE						USAGE CODE	UNITS PER ASSY
		1	2	3	4	5	6		
	106-54011	Equipment Install—Electrical sys engine sec					(B, J-K)	NP	
	109-54011	Equipment Install—Electrical sys engine sec					(C-F, L-P)	NP	
	122-54011	Equipment Install—Electrical sys engine sec					(G)	NP	
	122-541011	Equipment Install—Electrical sys engine sec					(H, R-S)	NP	
	124-54011	Equipment Install—Electrical sys engine sec					(T)	NP	
75-1	9315	Switch—Aneroid (Type I) (Square D) (See figure 88-7)					(E, N-S)	Ref	
75-2	122-54194	Box Assem—Booster coil					(G-H, Q)	1	
75-3	122-54196	Cover Assem—Booster coil box complete					(G-H, Q)	1	
75-4	122-54194-6	Shield Sub Assem—Booster coil box complete					(G-H, Q)	1	
75-5	94-32182B	Coil—Type C-1 battery operated booster, 24 volts, direct current (GFE)					(G-H, Q)	1	
75-6	JX55C	Filter (SPRAGUE)					(G-H, Q)	1	
75-7	AN3106-16S4S	Plug—Type PA straight electrical connector (Used with supercharger shifting solenoid—See Power Plant Group)					(ALL)	1	
	AN3057-8	Adapter—Electrical accessory to cable					(C-E, LQ)	1	
75-8	AN3108-24-7P	Plug—Type PB, 90° angle electrical connector					(C-E, L-Q)	1	
	AN3100-24-7S	Receptacle—Type RA wall mounting electrical connector					(C-E, L-Q)	1	
	AN3057-16	Adapter—Electrical accessory to cable					(C-E, L-Q)	2	
75-9	104-54126	Plug Assem—Generator firewall disconnect (AN3106-24-12P Reworked)					(B, J-K)	1	
	99-58497	Boot Assem—Dust excluder					(B, J-K)	1	
	AN3108-24-12P	Plug—Type PB, 90° angle electrical connector (Supersedes 104-54151-2)					(C-H, L-Q)	1	
75-10	AN3106-18-22S	Plug—Type PA straight electrical connector (Ignition firewall disconnect) (Supersedes 104-54152)					(ALL)	1	
	AN3100-18-2P	Receptacle—Type RA wall mounting electrical connector					(ALL)	1	
75-11	65-54050-2EE440	Conduit Assy—Flexible aluminum					(B, J, K)	1	
75-12	65-54050-3DE400	Conduit Assy—Flexible aluminum					(A-F, I)	1	
	NAS52-6BC400	Conduit Assy—Flexible elec shielded					(G, H, Q)	1	
75-13	65-54050-1BD330	Conduit Assy—Flexible aluminum					(A-F, I)	1	
	NAS54-3AB330	Conduit Assy—Flexible elec shielded					(G, H, Q)	1	
75-14	3367-2-1	Fitting—Junction (BREEZE)					(ALL)	1	
	AN3054-4	Nut—Conduit coupling					(ALL)	1	
	2W1SR8-18-125	Washer—Plain					(A-FD, J-M)	1	
	2W1AL0-18-40	Washer—Plain					(FE-H, N-Q)	1	
75-15	63-54050-1BD94	Conduit Assy—Flexible aluminum					(A-F, I)	1	
	NAS52-3AB94	Conduit Assy—Flexible electrical shielded					(G, H, Q)	1	
75-16		Magneto—(PART OF ENGINE—See Power Plant Group)						Ref	
75-17	No Number	Generator—Type O-A Engine driven, aircraft, 24 volts, direct current (AC SPEC 95-32415) (GFE)					(ALL)	1	
75-18	104-54178	Boot Assy—Generator terminal block					A-F, I)	1	
	122-54178	Boot Assy—Generator terminal block					(G-T)	1	
75-19	No Number	Coil—Type C-1 battery operated booster, 24 volts direct current (SPEC 94-32182A) (GFE)					(ALL)	1	
75-20	102-54180-2	Bracket Assy—Booster coil mounting, complete					(A-F, JP)	1	
75-21	JX55B	Filter—Radio noise (SPRAGUE)					(A-F, JP)	1	
75-22	102-54044-3	Shield Assy—Booster coil					(A-F, JP)	1	
75-23	AN3106-12S4P	Plug—Type PA straight electrical connector					(B, J, K)	1	
75-24	63-54050-3BB540	Conduit Assy—Flexible aluminum					(B, J, K)	1	
	63-54050-3BB600	Conduit Assy—Flexible aluminum					(C-FE, L-N)	1	
	NAS52-6AA600	Conduit Assy—Flexible electrical shield					(G, H, Q)	1	
75-25	AN3106-12S4P	Plug—Type PA straight electrical connector					(B, J, K)	1	
75-26	63-54050-1BD290	Conduit Assy—Flexible aluminum					(B, JA)	1	
	6045-4	Shield Assy—(RAVNOR)					(JB-K)	1	
	AN3054-4	Nut—Conduit coupling					(JB-K)	1	
75-27	AN3106-14S1S	Plug—Type PA straight electrical connector (Used with tachometer generator— See Instrument Group)					(ALL)	1	
75-28	63-54050-3BB100	Conduit Assy—Flexible aluminum					(A-F, I)	1	
	NAS52-6AA-160	Conduit Assy—Flexible aluminum					(G, H, Q)	1	
75-29		Starter—Engine (Part of engine—See Power Plant Group)						Ref	
75-30	AN-3106-12S3S	Plug—Type PA straight electrical connector (Used with coolant temperature bulb— See Instrument Group)					(C-E, L-Q)	1	
	AN3057-4	Adapter—Electrical accessory to cable					(C-E, L-Q)	1	
75-31	AN3106-12S4S	Plug—Type PA straight electrical connector (Used with fuel primer— See Power Plant Group)					(A-F, I)	1	
	AN3057-4	Adapter—Electrical accessory to cable					(FC-H, LC-Q)	1	
75-32	AN3106-12S3S	Plug—Type PA straight electrical connector (Used with carburetor air temperature bulb— See Instrument Group)					(ALL)	1	
	AN3057-4	Adapter—Electrical accessory to cable					(C-E, L-Q)	1	
75-33	63-54050-2BB-280	Conduit Assy—Flexible aluminum					(B, J, K)	1	
75-34	AN3054-4	Nut—Conduit coupling (Used on oil dilution solenoid valve—See Power Plant Group)					(C-E, L-Q)	1	
	2W1SR8-18-125	Washer—Plain					(C-E, L-Q)	1	
75-35	63-54050-1BD100	Conduit Assy—Flexible aluminum					(B, J, K)	1	
75-36	No Number	Relay—Type B8 current—starter circuit (GFE)					(E, N-Q)	1	
	122-54077	Bracket Assy—Starter relay					(E, N-S)	1	
	124-54043	Bracket Assy—Electric aneroid switch and starter solenoid					(T)	1	
	106-54164	Cover Assy—Solenoid					(E, N-Q)	1	
	106-54018	Box Assy—Power plant connector right					(B, J, K)	1	
75-37	106-54021	Cover Assy—Power plant connector box					(B, J, K)	1	
75-38	106-54018-2	Shield Sub Assembly—Power plant connector right box					(B, J, K)	1	
75-39	AN3102-12S4S	Receptacle—Type RB box mounting electrical connector					(B, J, K)	1	
75-40	96-54032-2	Panel Assy—14 post connector					(B, J, K)	1	
	97-54033	Insulator—14 post connector panel					(B, J, K)	1	
75-41	AN3102-16S4S	Receptacle—Type RB box mounting electrical connector					(B, J, K)	1	
75-42	121-54109	Battery—24V, 34AH (Rework) (GFE) (See figure 78-22 and 79-17)					(RH-T)	1	
	AN3150	Battery					(ALL)	Ref	
75-43	124-54063	Support Assy—Electrical sys. battery shelf					(T)	1	
75-44	3509	Bottle (See figure 79)					(ALL)	Ref	

*EA 125 (SOLAR) or NF6-1 Mallory Filter may be substituted.

AN 01-60JE-4
ELECTRICAL GROUP



102-54-128G

Figure 76—Wing Electrical Equipment

Revised 29 October 1954

**ELECTRICAL GROUP
WING ELECTRICAL EQUIPMENT**

FIGURE & INDEX NUMBER	PART NUMBER		NOMENCLATURE							USAGE CODE	UNITS PER ASSY
			1	2	3	4	5	6	7		
76-1	AN3054-6									(ALL)	1
	2W1SR16-23-125									(ALL)	1
76-2	AN3100-14S2S									(ALL)	1
76-3	AN3106-14S2P									(ALL)	1
76-4	AN3057-6									(ALL)	1
76-5	AN3096-5									(ALL)	1
76-6	AN3096-6									(ALL)	1
76-7	AN3096-4									(ALL)	1
76-8											Ref
76-9	102	*2								(ALL)	1
76-10	6045-6									(C-E, JB-Q)	1
	2W1SR16-23-125									(B)	2
76-11	AN3054-6									(ALL)	1
	AN3054-6									(B)	2
	2W1SR16-23-125									(B, JA)	1
76-12	AN3057-16									(ALL)	4
76-13	AN3100-28-11S									(A-FF, J-M)	2
	AN3100-28-12S									(FG-H, N-Q)	2
76-14	AN3106-28-11P									(A-FF, J-M)	2
	AN3106-28-12P									(FG-H, N-Q)	2
76-15	104-54205									(ALL)	1
	YZ7RQ1T	*1								(ALL)	1
	82-5425211									(ALL)	1
76-16	JX55B	*								(C-E, JB-Q)	1
76-17	122-54227									(E, M-Q)	1
	122-54227-1									(E, M-Q)	1
	109-54210									(D)	2
	109-54211	*1								(B, C, J-L)	1
	109-54211-1	*1								(B, C, J-L)	1
76-17A	109-54212	*1								(B, C, J-L)	1
	109-54212-1	*1								(B, C, J-L)	1
76-17B	ES4V	*1								(B, C, J-L)	1
76-18	109-54260									(D, E, M-Q)	1
76-19	BZ7RQ1T									(D, E, M-Q)	1
76-20	2W1AL30-24-62									(D, E, M-Q)	1
76-21	AN935-816L									(D, E, M-Q)	1
76-22	102-54257									(E, M-Q)	1
	102-54257-2									(D)	1
76-23	73-54203									(ALL)	2
	AN486-4									(ALL)	2
76-24	109-54206									(B, C, JA-JF)	1
	109-54226									(D, E, JG-Q)	1
	109-54206-1									(B, C, JA-JF)	1
	109-54226-1									(D, E, JG-Q)	1
76-25	102-54257									(ALL)	1
	AN935-816L									(ALL)	1
	2W1-30-24-62									(D, E, JG-Q)	1
	YZ7RQ1T									(ALL)	1
76-26	102-54257									(ALL)	1
	AN935-816L									(ALL)	1
	2W1-30-24-62									(ALL)	2
	WZ7RQ1T									(ALL)	1
76-27	73-54221									(ALL)	2
76-28	109-54145									(ALL)	1
	109-54145-1									(ALL)	1
76-29	AN3101-14S2S									(ALL)	2
	AN3057-6									(ALL)	2
76-30	AN3106-14S2S									(ALL)	1
	AN3054-6									(ALL)	1
76-31	2W1SR16-23-125									(ALL)	1
	AN3033-3									(ALL)	1
	AN3033-4									(ALL)	1
76-32	117-54240									(FG, N-Q)	20
76-33	117-54241									(FG, N-Q)	20
76-34	AN3106-10S2S									(ALL)	6
	AN3057-3									(ALL)	6
76-35	AN3101-12S3S									(ALL)	3
	AN3057-4									(ALL)	3
76-36	106-54225									(ALL)	Ref
76-37	4P1-6-5									(BH-Q)	1
	106-54266									(ALL)	1
76-38	AN3106-10SL4S									(ALL)	2
	AN3057-4									(B, JA)	2
	AN3054-4									(C-E, JB-Q)	2
	6045-4									(C-E, JB-Q)	2
76-39	109-54085	*2								(ALL)	1
76-40	AN3320-1	*2								(ALL)	1

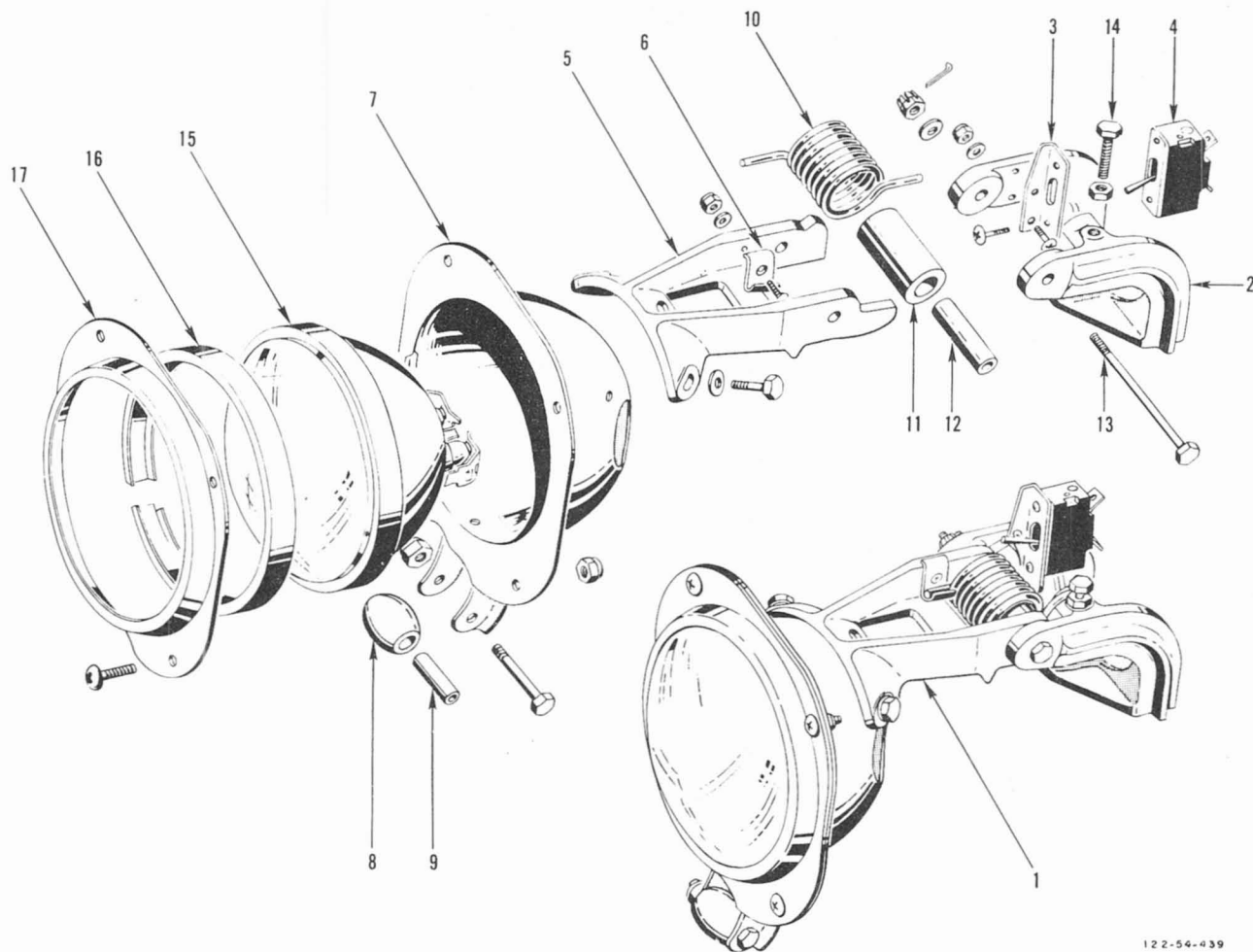
*EA125 (SOLAR) or NF6-1 (MALLORY) filters may be substituted for JX55B.

*1 NOTE: This equipment added per T.O. 01-60JE-37

*2 NOTE: This equipment added per T.O. 1F-51D-40

Section II
Group Assembly Parts List

AN 01-60JE-4
ELECTRICAL GROUP



122-54-439

Figure 77—Landing Light Assembly

LANDING LIGHT ASSEMBLY

FIGURE & INDEX NUMBER	PART NUMBER	NOMENCLATURE	USAGE CODE	UNITS PER ASSY
77-1	106-54225	1 Light Assy—Landing (See figure 76-36)	(ALL)	1
77-2	106-54218	2 Bracket—Landing light assembly base	(ALL)	1
77-3	106-54246	3 Bracket—Landing light safety switch mounting	(ALL)	1
77-4	9301-50CM	4 Switch—Toggle, momentarily "on" (SQUARE D)	(ALL)	1
77-5	106-54243	5 Arm Assy—Landing light housing supporting	(ALL)	1
77-6	109-54252	6 Clip—Landing light shock spring supporting	(ALL)	1
77-7	106-54244	7 Housing Assy—Landing light	(ALL)	1
77-8	106-54248	8 Roller—Landing light retract	(ALL)	1
77-9	4S3D10-47	9 Spacer—Bolt	(ALL)	1
77-10	106-54249	10 Spring—Landing light shock	(ALL)	1
77-11	106-54250	11 Roller—Landing light shock spring	(ALL)	1
77-12	4S3D10-84	12 Spacer—Bolt	(ALL)	1
77-13	AN3-35	13 Bolt—Aircraft, 10-32	(ALL)	1
77-14	5B1-7	14 Bolt—Adjustment, 10-32	(ALL)	1
77-15	AN3129-4523	15 Lamp—PAR-46 bulb, landing, 28 volts, 250 watts, clear cover glass (GFE)	(ALL)	1
77-16	97-54222	16 Gasket—Landing light	(ALL)	1
77-17	106-54223	17 Retainer—Landing light	(ALL)	1

AN 01-60JE-4
ELECTRICAL GROUP
FUSELAGE ELECTRICAL EQUIPMENT

FIGURE & INDEX NUMBER	PART NUMBER	NOMENCLATURE	USAGE CODE	UNITS
				PER ASSY
		1 2 3 4 5 6 7		
78-1		Box Assy—Generator controls (See figures 80-1 and 80-2)		Ref
78-2	94-32270	Inverter—Rotary, 400 cycle, 6 volt ampere (GFE) (See figure 42-12)	(ALL)	Ref
	AN3106-12S3S	Plug—Type PA straight electrical connector	(ALL)	1
	6045-4	Shield Assy (RAYNOR)	(ALL)	1
	AN3054-4	Nut—Conduit coupling	(ALL)	1
78-3	A80N1	Resistor—1 ohm, 80 watt (CLAROSTAT)	(B, J, K)	1
78-4	122-54099	Bracket Assy—Spare lamps	(E, N-Q)	1
	AN3125-1	Lamp—RP-12 bulb, double contact indexing candelabra bayonet nose, fluorescent, spare	(FG-H, P, Q)	1
	AN3121-313	Lamp—T-3¼ bulb, single contact miniature bayonet base, 28 volts, 0.17 amperes, clear finish, spare	(FG-H, P, Q)	2
	480	Lamp—Spare (GFE)	(FG-H, P, Q)	4
78-5	122-54129	Regulator Assy—K-14 gun sight voltage	(FG-H, P, Q)	1
	5581371	Regulator—Voltage (AC SPARK PLUG) (GFE)	(FG-H, P, Q)	1
78-6	32356	Lamp Assy—Type C-5 cockpit, fluorescent, 28 volt direct current, less control unit (For control unit See figures 81-2 and 86-21)	(ALL)	2
78-7	AN3022-3	Switch—Three hole mounting single pole toggle	(A-FF, J-N)	1
	109-54129	Plate—Gun sight filament selector name	(A-FF, J-N)	1
78-8	122-54128	Selector-Dimmer Assy—K-14 gun sight	(FG-H, P, Q)	1
78-9	No Number	*3 Selector-Dimmer assy type K14C (USAF dwg 46B4064)	(FG-H, P, Q)	1
78-10	1397B	Cable—Aircraft fire control instruments electrical	(FG-H, P, Q)	2
78-11	5581331	Receptacle—10 terminal (AC SPARK PLUG) (GFE)	(FG-H, P, Q)	1
78-12	106-54099	Panel Assy—Spare lamps box and gun circuit breaker	(B, J, K)	1
	106-54099-3	Panel Assy—Spare lamps box and gun circuit breaker	(C, D, L, M)	1
	99-54095	Cover Assy—Spare lamps box	(A, J-M)	1
	PA30	Breaker—Klixon circuit, 30 amperes (SPENCER)	(A, J-M)	3
	122-54019	Panel Assy—Gun circuit breakers	(FA-FF, N)	1
	122-54019-2	Panel Assy—Gun circuit breakers	(FG-H, P, Q)	1
	PA30	Breaker—Klixon circuit, 30 amperes (SPENCER)	(FG-H, P, Q)	3
78-13	AN3125-1	Lamp—RP-12 bulb, double contact indexing candelabra bayonet base, fluorescent spare	(A-FF, J-N)	1
	AN3121-313	Lamp—T-3¼ bulb, single contact miniature bayonet base, 28 volts, 0.17 amperes, clear finish, spare	(A-FF, J-N)	2
	844	Lamp—28 volts, 21/21 candle power, G-9 bulb, direct current bayonet base, special finish, spare (Aerno 88-8400)	(A-FF, J-N)	1
78-14	106-54139	Shield Assy—Recognition lights keying switch	(ALL)	1
	8586	* Switch Assy (ACRO)	(ALL)	1
78-15	106-54070	Panel Assy—Right switch complete (See figure 86-1)	(ALL)	Ref
78-16	106-54199	Angle Assy—Right switch panel attaching	(ALL)	2
	109-54199	Panel Assy—16 post connector	(B, J, K)	1
	109-54180	Panel Assy—25 post connector	(C, L)	1
	94-32204	Panel Assy—25 post connector	(D, E, M-Q)	1
78-17	32462	Shunt—Ammeter, 50 millivolts, 150 amperes (GFE)	(B, C, J-L)	1
78-18	106-54332	Signal—Type J-2 warning, aircraft emergency	(ALL)	1
	106-54332-2	Panel Assy—Main power	(A-FF, J-M)	1
78-19	PA5	Panel Assy—Main power	(FG-H, N-Q)	1
78-20	PA10	Breaker—Klixon circuit, 5 ampere (SPENCER)	(ALL)	1
	PA5	Breaker—Klixon circuit, 10 ampere (SPENCER)	(A-FF, J-M)	1
	PA5	Breaker—Klixon circuit, 5 ampere (SPENCER)	(FG-H, N-Q)	1
78-21	106-54024	Tube—Battery vent inlet first jumper (See figure 79-1)	(ALL)	Ref
78-22	AN3150	Battery—24 volt, 34 ampere hours, shielded storage (GFE) (See figure 79-17)	(ALL)	Ref
78-23	106-54022	Tube—Battery vent outlet, front section (See figure 79-14)	(ALL)	Ref
78-24	94-32324	Relay—Type B-4 current, battery circuit (GFE)	(ALL)	1
	106-54164	Cover Assy—Battery solenoid	(ALL)	1
78-25	97-54108-4	Adapter Assy—External power source receptacle	(ALL)	1
	42B6927	Adapter Assy—External power connection	(ALL)	1
78-26	102-54104	Box Assy—External power source receptacle	(ALL)	1
	42B3748	Receptacle—External power source	(ALL)	1
78-27	AN3106-10SL4S	Plug—Type PA straight electrical connector (Used with submerged fuel booster pump assembly—see Power Plant Group)	(ALL)	1
	6045-4	Shield Assy (RAYNOR)	(ALL)	1
	AN3054-4	Nut—Conduit coupling	(ALL)	1
78-28	122-54136	*2 Handle Assy—Coolant air exit flap actuator emergency release	(ALL)	1
78-29	X1	Actuator—Automatic temperature controlled, model R-4250, coolant system (ROBERTSHAW) (Reference Handbook AN 03-5CH-17)	(ALL)	1
78-30	X364	Diastat Sub (ROBERTSHAW)	(ALL)	1
78-31	AN3106-16S8S	Plug—Type PA straight electrical connector	(ALL)	2
	6045-8	Shield Assy (RAYNOR)	(ALL)	2
	AN3054-8	Nut—Conduit coupling	(ALL)	2
78-32	AN3097-2	Light Assy—Upward recognition (GFE)	(B, J, K)	1
	2W1P12-20-62	Washer—Plain	(B, J, K)	1
	91-54168	Gasket—Upper recognition light sealing	(B, J, K)	1
78-33	102-58561	Rod Assy—Oil cooler door operating	(ALL)	1
78-34	104-47086	Bellcrank Assy—Oil cooler door operating	(ALL)	1
78-35	X200	Actuator—Automatic temperature controlled, model R-4310, oil system (ROBERTSHAW) (Reference Handbook AN 03-5CH-17)	(ALL)	1
78-36	X366	Diastat Sub (ROBERTSHAW)	(ALL)	1
78-37	3509	Bottle—Battery vent outlet sump (GLASS CONTAINERS) (See figure 79-13)	(ALL)	Ref
78-38	7540	Receptacle (HUBBELL)	(B, CC-F, I)	1
78-39	1015-24	Relay (LEACH)	(ALL)	1
78-40	2200-24	Lamp Assy—Type A-7 cockpit	(ALL)	2
78-41	A2542	Clip Assy—Signal light stowage (GRIMES) (GFE)	(CC-F, L-P)	1
78-42	106-54312	Panel Assy—Left switch complete (See figure 81-1)	(ALL)	Ref
78-43	A2542	Clip Assy—Signal light stowage (GRIMES) (GFE)	(B-CB, J, K)	1
	109-54035	Block Assy—Interaircraft signal light bracket protecting	(B-CB, J, K)	1
78-44	63-54050-3HJ400	Conduit Assy—Flexible aluminum	(B, J, K)	1
	63-54050-3HJ420	Conduit Assy—Flexible aluminum	(C-E, L-Q)	1

*8586 switch (MICRO SWITCH) is interchangeable with and may be substituted for 8586 switch (ACRO).

*2 This equipment added per T. O. 01-60-110

*3 Refer to T.O. 1F-51-201.

Section II
Group Assembly Parts List

AN 01-60JE-4
ELECTRICAL GROUP

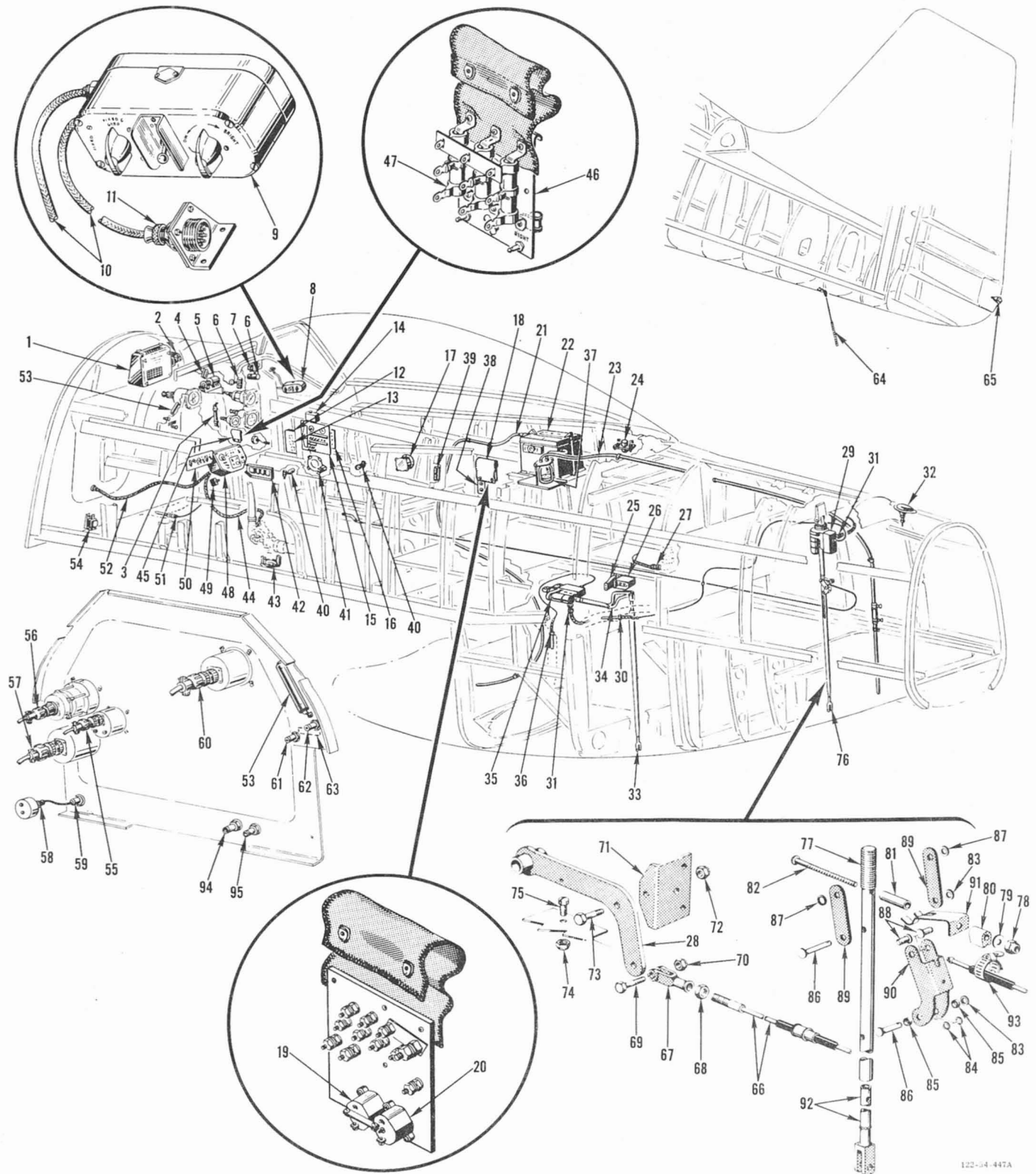


Figure 78—Fuselage Electrical Equipment

AN 01-60JE-4
ELECTRICAL GROUP

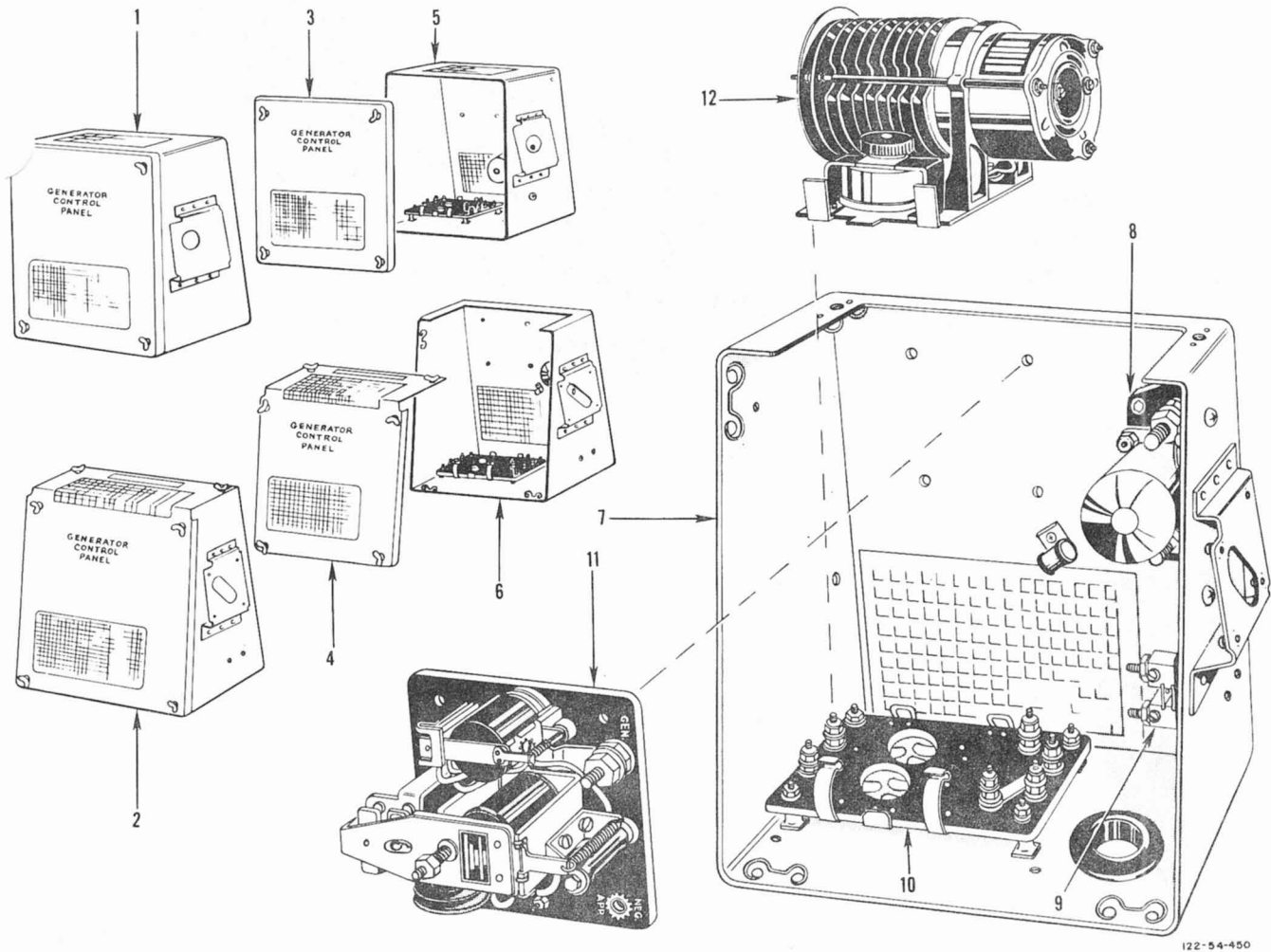


Figure 80—Generator Controls

GENERATOR CONTROLS

FIGURE & INDEX NUMBER	PART NUMBER	1	2	3	4	5	6	7	NOMENCLATURE	USAGE CODE	UNITS PER ASSY
80-1	106-54171								Box Assy—Generator controls (See figure 78-1)	(BA-BE)	1
	106-54171-3								Box Assy—Generator controls (See figure 78-1)	(BF-BL)	1
	106-54171-5								Box Assy—Generator controls (See figure 78-1)	(J, K)	1
80-2	109-54171								Box Assy—Generator controls (See figure 78-1)	(C, L)	1
	109-54171-4								Box Assy—Generator controls (See figure 78-1)	(D, M)	1
	122-54171								Box Assy—Generator controls (See figure 78-1)	(E, N-Q)	1
80-3	99-54177								Cover Assy—Generator controls box	(B, J, K)	1
80-4	109-54177								Cover Assy—Generator controls box	(D, E, M-Q)	1
80-5	106-54171-2								Shield Assy—Generator controls box complete	(BA-BE)	1
	106-54171-4								Shield Assy—Generator controls box complete	(BF-BL)	1
	106-54171-6								Shield Assy—Generator controls box complete	(J, K)	1
80-6	109-54171-2								Shield Assy—Generator controls box complete	(C, L)	1
	109-54171-5								Shield Assy—Generator controls box complete	(D, M)	1
	122-54171-2								Shield Assy—Generator controls box complete	(E, N-Q)	1
80-7	106-54172								Shield Assy—Generator control box	(BA-BE)	1
	106-54172-4								Shield Assy—Generator control box	(BF-BL)	1
	106-54172-7								Shield Assy—Generator control box	(J, K)	1
	109-54172								Shield Assy—Generator control box	(C, D, L, M)	1
	122-54172								Shield Assy—Generator control box	(E, N-Q)	1
80-8	94-32324								Relay—Type B-4 current, battery circuit (GFE)	(B, J, K)	1
	94-32324								Relay—Type B-4 current, battery circuit (GFE)	(C, D)	1
	32424A								Relay—Type B-8 current, starter circuit (GFE)	(L, M)	1
80-9	94-32204								Shunt—Ammeter, 50 millivolts, aircraft (GFE)	(D, E, M-Q)	1
80-10	40D8445-2								Base Assy—Voltage regulator	(ALL)	1
80-11	AN3025-1	*1							Cutout—Reverse current 28 volt DC system (GFE)	(ALL)	1
80-12	94-32276								Regulator—Voltage, aircraft generator (GFE)	(ALL)	1

*1 Refer to T.O. 8R1-3-1-501

Section II
Group Assembly Parts List

AN 01-60JE-4
ELECTRICAL GROUP

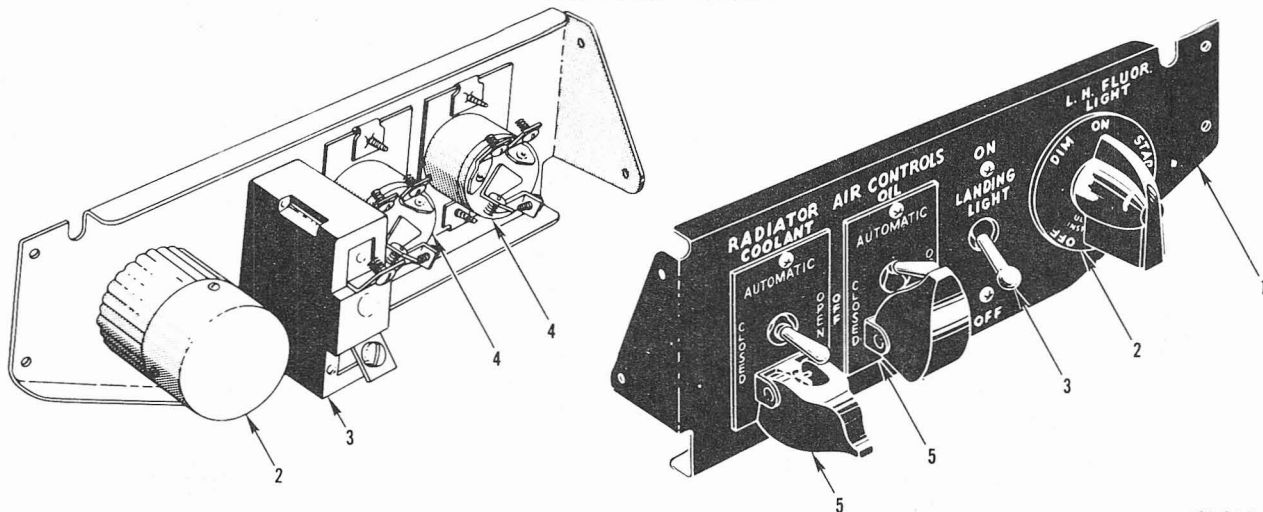


Figure 81—Left Switch Panel Assembly

109-54 214B

LEFT SWITCH PANEL ASSEMBLY

FIGURE & INDEX NUMBER	PART NUMBER	NOMENCLATURE	USAGE CODE	UNITS PER ASSY
		1 2 3 4 5 6 7		
81-1	106-54312	Panel Assy—Left switch complete (See figure 78-42)	(ALL)	1
	106-54314	Panel Assy—Left switch	(ALL)	1
81-2	No Number	Control Unit—Type C-5 cockpit lamp (Part of specification 32356, see figure 78-6 for Lamp Assy)	(ALL)	1
81-3	AN3160-20	Circuit Breaker—Single pole non-trip free	(ALL)	1
81-4	8905K608	Switch (CUTLER-HAMMER)	(ALL)	2
81-5	8916K544	Guard—Switch handle (CUTLER-HAMMER)	(ALL)	2

PILOT'S FRONT SWITCH BOX ASSEMBLY

FIGURE & INDEX NUMBER	PART NUMBER	NOMENCLATURE	USAGE CODE	UNITS PER ASSY
		1 2 3 4 5 6 7		
82-1	106-54003	Box Assy—Pilot's front switch (See figure 78-48)	(B, J, K)	1
82-2	109-54003	Box Assy—Pilot's front switch (See figure 78-48)	(C, L)	1
	109-54003-5	Box Assy—Pilot's front switch (See figure 78-48)	(D-FD, M)	1
	109-54003-9	Box Assy—Pilot's front switch (See figure 78-48)	(FE, FF)	1
82-3	106-54003-3	Cover Assy—Pilot's front switch box complete	(B, J, K)	1
	109-54003-3	Cover Assy—Pilot's front switch box complete	(C, L)	1
	109-54003-6	Cover Assy—Pilot's front switch box complete	(D-FD, M)	1
	109-54003-8	Cover Assy—Pilot's front switch box complete	(FE, FF)	1
	106-54004	Cover Assy—Pilot's front switch box	(B, J, K)	1
	109-54004	Cover Assy—Pilot's front switch box	(C, L)	1
	109-54004-2	Cover Assy—Pilot's front switch box	(D, FD-M)	1
	109-54004-4	Cover Assy—Pilot's front switch box	(FE, FF)	1
82-4	94-32229D	Rheostat—Type 0-1C, aircraft, 50 watts	(A-FF, J-M)	1
82-5	AN3022-8	Switch—Three hole mounting single pole toggle	(A-FF, J-M)	2
82-6	49-1229-2	Guard—Switch handle (CUTLER-HAMMER)	(A-FF, J-M)	1
82-7	44A18454-4	Lamp and Switch Assy—Ungrounded indicator, amber	(D-FF, M)	1
	44A9439-4	Lamp Assy—Indicator ungrounded, amber	(C, L)	1
	AN3121-313	Lamp—T-3-1/4 bulb, single contact miniature bayonet base, 28 volts, 0.17 amperes, clear finish	(C-FF, L, M)	1
82-8	AN3022-5	Switch—Three hole mounting single pole toggle	(A-FF, J, M)	1
82-9	DSUA	Switch—Push button (Hetherington)	(C-FF, M)	1
82-9A	DSUA	Switch—Push button (Hetherington)	(B, J)	1
82-10	321CA	Lamp—28 volts, 0.035 amperes, T-1-3/4 bulb, B and M base, dimmer top, cloudy amber plastic dome (GFE)	(B, J, K)	1
	40A7419	Socket Assy—Signal lamp (GFE)	(B, J, K)	1
82-11	39A2512	Switch Assy—Type C-2 toggle	(B, J, K)	1
	AN3022-2	Switch—Three hole mounting single pole toggle	(C-FF, L, M)	1
82-12	1G5	Guard—Switch	(A-FF, J-M)	1
82-13	8916K538	Guard—Switch handle (CUTLER-HAMMER)	(A-FF, J-M)	1
82-14	32091	Switch—Type A-8 ignition	(A-FD, J-L)	1
	AN3212-1	Switch—Single engine ignition	(FE, FF)	1
	AN3054-6	Nut—Conduit coupling	(FE, FF)	1
	2W1SR20-24-125	Washer—Plain	(FE, FF)	1
82-15	94-32011B	Rheostat—Type E-1, aircraft, 25 watts	(A-FF, J-M)	1
82-16	106-54003-2	Shield Assy—Pilot's front switch box complete	(B, J, K)	1
	109-54003-2	Shield Assy—Pilot's front switch box complete	(C, L)	1
	109-54003-7	Shield Assy—Pilot's front switch box complete	(D-FF, M)	1
	106-54006	Shield Assy—Pilot's front switch box	(B, J, K)	1
	109-54006	Shield Assy—Pilot's front switch box	(C, L)	1
	109-54006-2	Shield Assy—Pilot's front switch box	(D-FF, M)	1
82-17	PA5	Breaker—Klixon circuit, 5 amperes (SPENCER)	(FE, FF)	1
82-18	94-32351A	Relay—Type B-5A single pole current, 24 volts, 50 amperes, direct current	(B, J, K)	1
	94-32351B	Relay—Type B-5B single pole current, 24 volts, 50 amperes, direct current	(C-FF, L, M)	1
82-19	97-54191-2	Panel Assy—Pilot's front switch box connector	(A-FF, J-M)	1
	82-54611	Insulator—20 post connector panel	(A-FF, J-M)	1
82-20	PA15	Breaker—Klixon circuit, 15 amperes (SPENCER)	(FA-FF)	1

AN 01-60JE-4

ARMAMENT GROUP

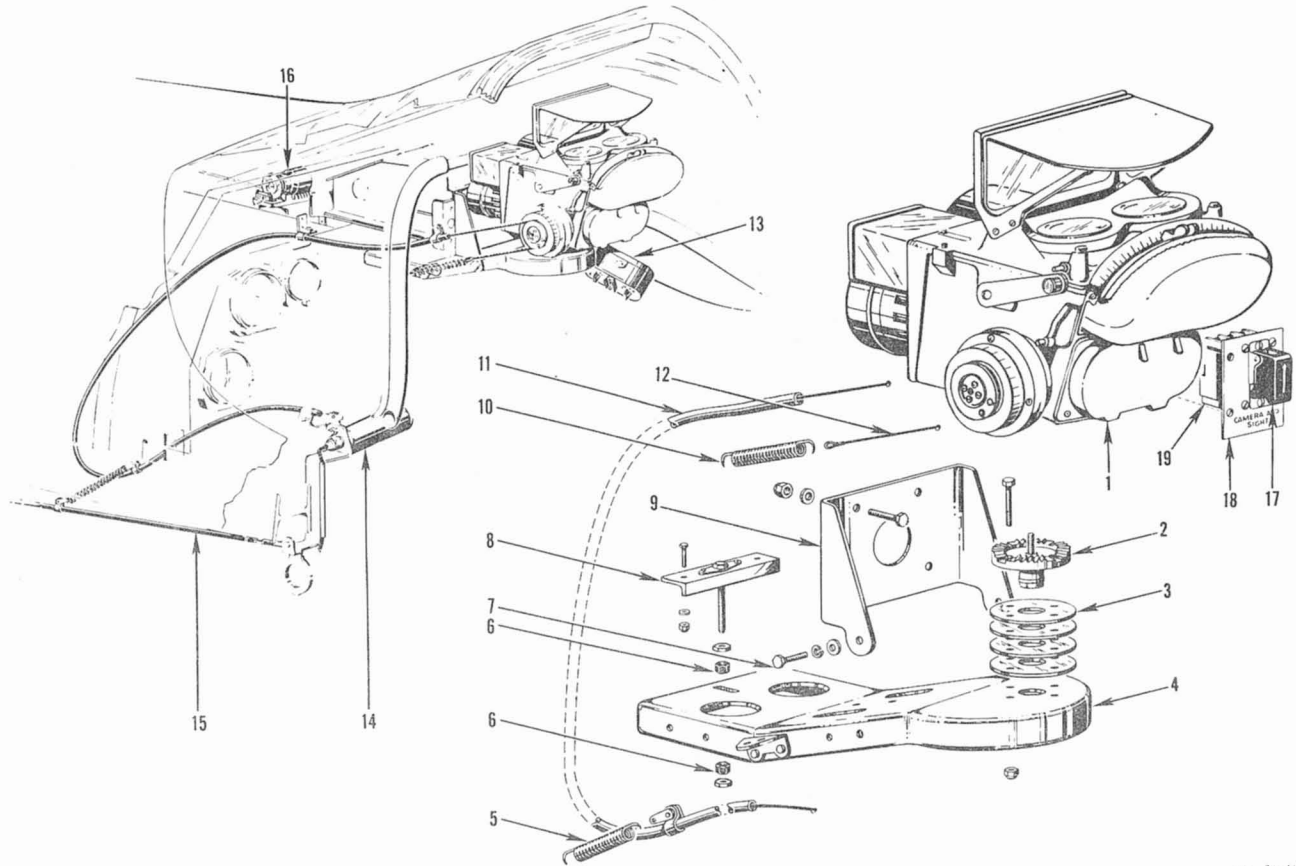
WING BOMB RACK MECHANISM ASSEMBLY

FIGURE & INDEX NUMBER	PART NUMBER	NOMENCLATURE							USAGE CODE	UNITS PER ASSY
		1	2	3	4	5	6	7		
97-1	109-63218	Mechanism Assy—Bomb rack LH (Supersedes 109-63018)							(ALL)	1
	109-63218-1	Mechanism Assy—Bomb rack RH (Supersedes 109-63018-1)							(ALL)	1
97-2	AN3106-14S2P	Plug—Type PA straight electrical connector							(ALL)	1
97-3	AN3057-6	Adapter—Electrical accessory to cable							(ALL)	1
97-4	109-63138	Bushing—Wing bomb rack trip arm							(ALL)	1
97-5	109-63117	Support Assy—Wing bomb rack rear LH (Supersedes 109-63017)							(ALL)	1
	109-63117-1	Support Assy—Wing bomb rack rear RH (Supersedes 109-63017-1)							(ALL)	1
97-6	24B2	Solenoid (LELAND)							(ALL)	1
97-7	4S4-6-2	Spacer—Rivet							(ALL)	1
97-8	109-63041	Spring—Wing bomb rack solenoid							(ALL)	1
97-9	4S3-6-22	Spacer—Bolt							(ALL)	1
97-10	109-63229	Beam Assy—Wing bomb rack mechanism support							(ALL)	1
97-11	109-63116	Support Assy—Wing bomb rack front LH (Supersedes 109-63016)							(ALL)	1
	109-63116-1	Support Assy—Wing bomb rack front RH (Supersedes 109-63016-1)							(ALL)	1
97-12	109-63040	Spring—Wing bomb rack							(ALL)	2
97-13	109-63086	Guard—Wing bomb rack transfer switch terminal (LH only)							(ALL)	1
97-14	109-63025	Cover—Wing bomb rack switch (LH only)							(ALL)	1
97-15	XD7-5L	Switch—(ACRO) (LH only) (MICRO SWITCH BZ3RLTC may be substituted)							(ALL)	1
97-16	4S4-4-7	Spacer—Rivet (LH only)							(ALL)	1
97-17	109-63028	Arm—Wing bomb rack switch actuating (LH only)							(ALL)	1
97-18	4S4-4-12	Spacer—Rivet (LH only)							(ALL)	1
97-19	109-63056	Arm Assy—Wing bomb rack salvo LH							(ALL)	1
	109-63056-1	Arm Assy—Wing bomb rack salvo RH							(ALL)	1
97-20	109-63172	Spring—Wing bomb rack actuating							(ALL)	1
97-21	4B14-3-3	Bushing—Spacer							(ALL)	1
97-22	109-63219	Hook Assy—Wing bomb rack complete							(ALL)	1
97-23	109-63219-10	Rivet Subassembly—Wing bomb rack							(ALL)	1
97-24	109-63139	Hook—Wing bomb rack							(ALL)	2
97-25	109-63209	Link—Wing bomb rack trip arm							(ALL)	2
97-26	109-63099	Pin—Wing bomb rack trip arm							(ALL)	2
97-27	109-63237	Arm Assy—Wing bomb rack trip							(ALL)	1
97-28	109-63212	Guide—Wing bomb rack hook link							(ALL)	1
97-29	K333	Bearing (KILLIAN)							(ALL)	1
97-30	109-63042	Spring—Wing bomb rack rocker							(ALL)	1
97-31	109-63070	Spacer—Wing bomb rack rocker spring							(ALL)	1
97-32	109-63034	Rocker—Wing bomb rack							(ALL)	1
97-33	A345N11	Bearing (CHRYSLER)							(ALL)	1
97-34	109-63044	Spacer—Wing bomb rack rocker							(ALL)	1
97-35	4S3-10-27	Spacer—Bolt							(ALL)	1
97-36	109-63035	Link—Wing bomb rack							(ALL)	1
97-37	4B14-3-4	Bushing—Spacer							(ALL)	1
97-38	4B14-3-20	Bushing—Spacer							(ALL)	1
97-39	109-63230	Unit Assy—Wing bomb rack fusing (Supersedes 109-63030)							(ALL)	1
97-40	109-63231	Housing—Wing bomb rack fusing (Supersedes 109-63031)							(ALL)	1
97-41	A2135	Solenoid (COLE)							(ALL)	2
97-42	109-63132	Latch Assy—Wing bomb rack fusing unit							(ALL)	2
97-43	109-63133	Spring—Wing bomb rack fusing unit							(ALL)	1
97-44	109-63064	Pin—Wing bomb rack fusing unit							(ALL)	1
97-45	AN5-34A	Bolt—Aircraft, 5/16-24 (Magnetic inspected)							(ALL)	4
97-46	AN5-35A	Bolt—Aircraft, 5/16-24 (Magnetic inspected)							(ALL)	4
97-47	AN5-15A	Bolt—Aircraft, 5/16-24 (Magnetic inspected)							(ALL)	6
97-48	AN5-16A	Bolt—Aircraft, 5/16-24 (Magnetic inspected)							(ALL)	2
97-49	109-63215	Fairing Assy—Wing bomb rack LH (Supersedes 109-63015)							(ALL)	1
	109-63215-1	Fairing Assy—Wing bomb rack RH (Supersedes 109-63015-1)							(ALL)	1
	109-63051	Gasket—Wing bomb rack front support							(ALL)	1
	109-63052	Gasket—Wing bomb rack rear support							(ALL)	1
97-50	2W1-17-32-64	Washer—Plain							(ALL)	4
97-51	5B2-10	Bolt—Adjustment, 1/4-28							(ALL)	4
	122-63134	Kit—Wing bomb rack swaybrace stowage (Supersedes 109-63134)							(ALL)	1
	117-63239	Bag Assy—Swaybrace stowage							(ALL)	1
97-52	122-63090	Swaybrace Assy—Wing bomb rack (Supersedes 109-63090, 109-63092, and 109-63101)							(ALL)	4

*109-63039 may be substituted for and is interchangeable with 109-63139.

Section II
Group Assembly Parts List

AN 01-60JE-4
ARMAMENT GROUP



12-61-184A

Figure 98—K-14C Gun Sight Installation

K-14C GUN SIGHT INSTALLATION

FIGURE & INDEX NUMBER	PART NUMBER		1	2	3	4	5	6	7	NOMENCLATURE	USAGE CODE	UNITS PER ASSY
98-1	No Number	*1								Sight Assy—Gun gyro computing type K14C (USAF dwg No. 48C4203)	(FG-H, P, Q)	1
98-2	5581095									Bracket—Mounting (AC SPARK PLUG) (GFE)	(FG-H, P, Q)	1
98-3	104-61604									Spacer—K-14A gun sight mount	(FG-H, P, Q)	4
98-4	109-61602-50									Mount Assy—K-14A gun sight	(FG-H, P, Q)	1
98-5	104-61610									Spring—Gun sight range control return	(FG-H, P, Q)	1
98-6	104-61605									Nut—K-14A gun sight mount adjusting	(FG-H, P, Q)	2
98-7	5B2-5									Bolt—Adjustment, 1/4-28	(FG-H, P, Q)	2
98-8	109-61605									Bracket Assy—K-14A gun sight mount adjusting	(FG-H, P, Q)	1
98-9	109-61604									Bracket—K-14A gun sight mount attaching	(FG-H, P, Q)	1
98-10	109-61610									Spring—Gun sight range control return	(FG-H, P, Q)	1
98-11	109-13211-10									Cable Assy—Throttle to K-14A gun sight	(FG-H, P, Q)	1
98-12	109-43212									Cable Assy—K-14A gun sight return	(FG-H, P, Q)	1
98-13	5581004									Selector-Dimmer Assy (AC SPARK PLUG) (GFE) (See figure 78-9)	(FG-H, P, Q)	Ref
98-14	109-43201									Lever Assy—Throttle and K-14A gun sight range control complete (See figure 24-12)	(FG-H, P, Q)	Ref
98-15	109-43816									Rod Assy—Throttle control quadrant through firewall (See figure 23-21)	(ALL)	Ref
98-16	5581371									Regulator—Voltage (AC SPARK PLUG) (GFE) (See figure 78-5)	(FG-H, P, Q)	Ref
98-17	49-1475									Guard Assy—Switch (Cutler-Hammer)	(FG-H, P, Q)	1
98-18	48A-608									Bracket—Switch gun camera and sight (GFE)	(FG-H, P, Q)	1
98-19	8742K5									Switch—5 hole mounting (Cutler-Hammer)	(FG-H, P, Q)	1

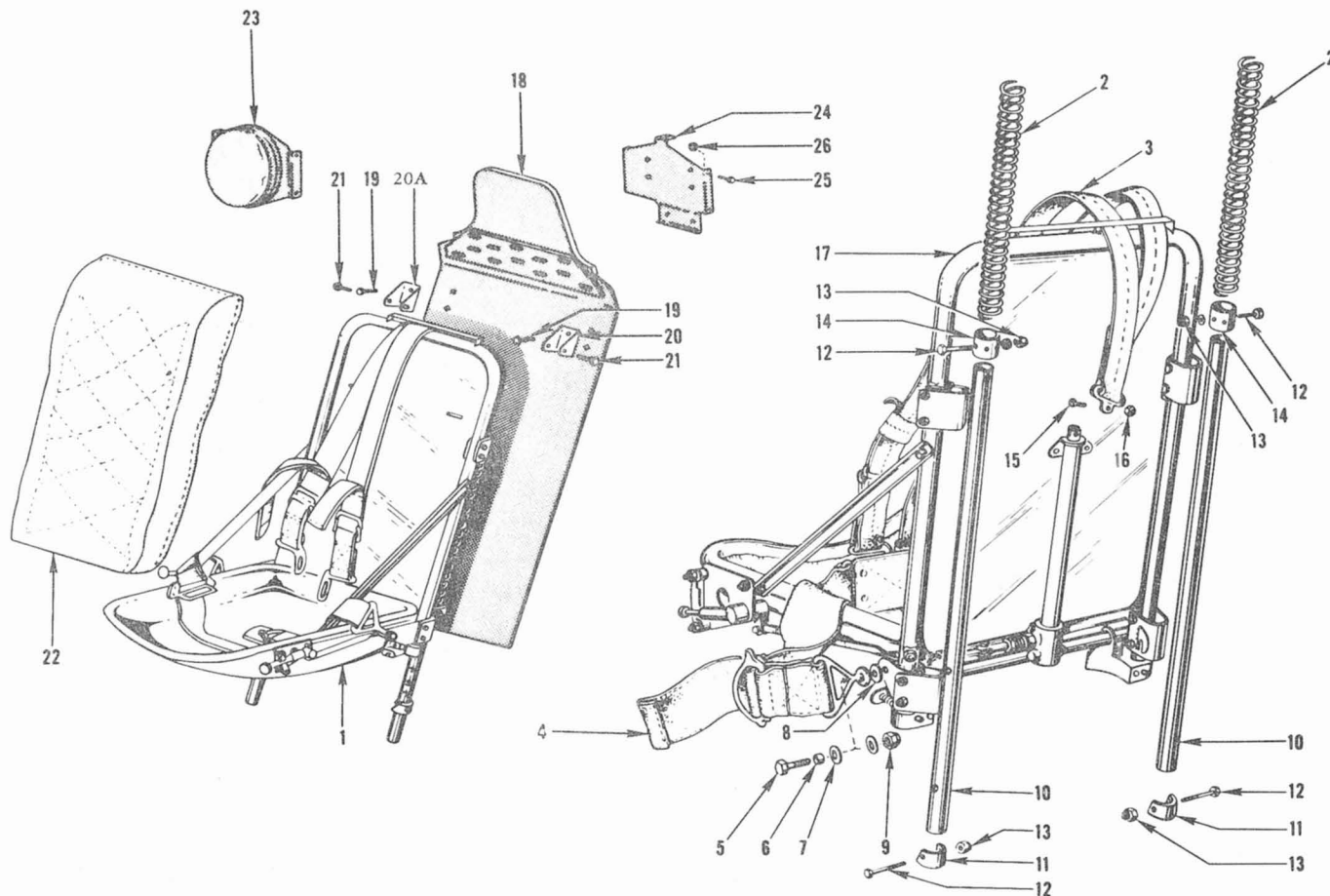
*1 NOTE: Refer to T.O. 1F-51-201

GUN CAMERA AND N-9 GUN SIGHT

FIGURE & INDEX NUMBER	PART NUMBER		1	2	3	4	5	6	7	NOMENCLATURE	USAGE CODE	UNITS PER ASSY
99-1	75-251									Camera—Type AN-N4 gun, 35 mm lens, plain, 16 mm, 24 volts, direct current (GFE)	(B, J, K)	1
	75-366									Camera—Type AN-N6 gun, 35 mm lens, 16 mm, 24 volts, direct current (GFE)	(C-E, L, Q)	1
	C33-1E1-2									Control—Gun sight aiming point camera overrun (FAIRCHILD) (GFE)	(B, J, K)	1
99-2	106-66023									Seal—Gun camera mounting	(B, C, J-L)	1
	2W1A118-24-32									Washer—Plain	(B, C, J-L)	6
99-3	159B									Mount—Camera (HUBER)	(D, E, M-Q)	1
99-4	109-66026									Bracket Assy—Gun camera mounting	(D, E, M-Q)	1
	109-66043									Mount Assy—Wing gun camera field service	(B, C, J-L)	1
99-5	109-66037									Glass—Wing gun camera windows	(D, M)	1
99-6	109-66024									Window Assy—Wing gun camera	(D, M)	1
99-7	109-66012									Frame Assy—Gun camera door actuating	(E, N-Q)	1
99-8	109-66039									Bracket Assy—Gun camera door actuating pulley wing station 29.25	(E, N-Q)	1
	AN210-1A									Pulley—Anti-friction bearing control	(E, N-Q)	1
99-9	109-66044	*								Cable Assy—Wing gun camera door operating inboard	(E, N-Q)	1
99-10	109-66040									Bracket Assy—Gun camera door actuating pulley wing station 38.5	(E, N-Q)	1

NOTE: * 109-66044 Cable Assy reworked per T. O. 01-60JE-36

AN 01-60JE-4
FURNISHINGS GROUP



122-73-128

Figure 102—Pilot's Seat Complete

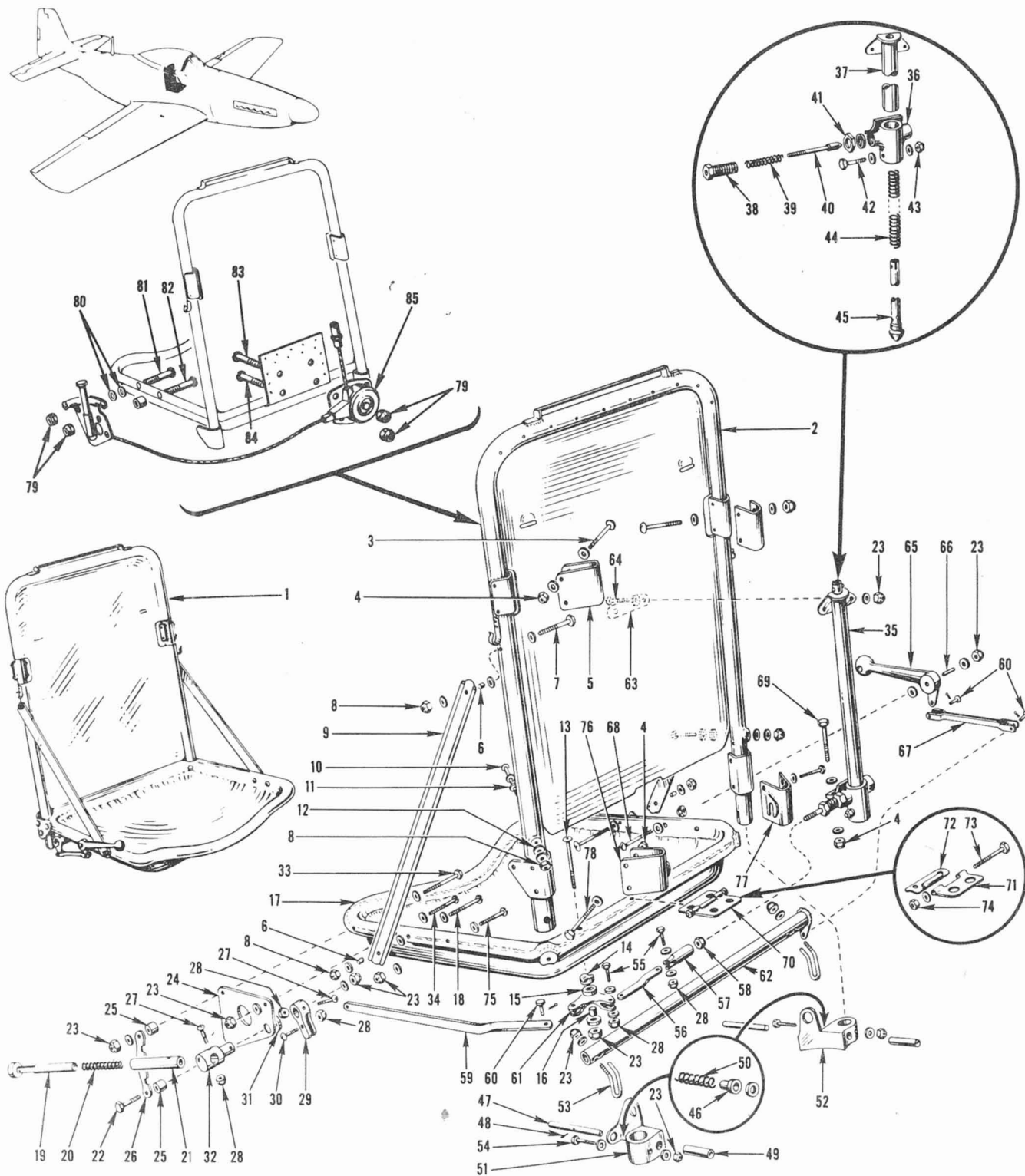
PILOT'S SEAT COMPLETE

FIGURE & INDEX NUMBER	PART NUMBER	1	2	3	4	5	6	7	NOMENCLATURE	USAGE CODE	UNITS PER ASSY
102-1	106-53009								Seat Assy—Pilot's complete	(ALL)	1
102-2	106-53045								Spring—Pilot's seat	(ALL)	2
102-3	44G5443								Harness—Type B15 (GFE) (Supersedes 42G4027 and should be used with type B14 belt)	(ALL)	1
102-4	44G5437								Belt—U.S. Army Air Forces type B14 (GFE) (Interchangeable with 34G1646 type B11)	(ALL)	1
102-5	AN4-7A								Bolt—Aircraft, 10-32	(ALL)	2
102-6	4B2-13								Bushing	(ALL)	2
102-7	2W1-16-24-64								Washer—Plain	(ALL)	2
102-8	2W1-25-24-63								Washer—Plain	(ALL)	2
102-9	AN365-428								Nut—Self locking	(ALL)	2
102-10	109-53014								Tube—Pilot's seat support	(E, M-Q)	2
	106-53014								Tube—Pilot's seat support	(A, J-L)	2
102-11	109-53045								Stop—Pilot's seat (Supersedes 19-53045)	(ALL)	2
102-12	AN3-14A								Bolt—Aircraft, 10-32	(ALL)	4
102-13	AN365-1032								Nut—Self locking	(ALL)	4
102-14	49-53009								Stop—Seat support tube lower	(ALL)	2
102-15	AN23-13								Bolt—Clevis, 10-32	(ALL)	1
102-16	AN320-3								Nut—Aircraft shear	(ALL)	1
102-17	243B-AS1								Seat Assy—Complete (WARREN McARTHUR) (See figure 103-1)	(ALL)	Ref
	95-100								Seat Assy—Complete (SCHICK-JOHNSON) (See figure 104-1)	(ALL)	Ref
102-18	106-73520								Plate Assy—Pilot's rear armor	(ALL)	1
102-19	AN5-10A								Bolt—Aircraft, 5/16-24	(ALL)	4
102-20	49B326L								Support Assy—Pilot's seat tube LH	(ALL)	1
102-20A	49B326R								Support Assy—Pilot's seat tube RH	(ALL)	1
102-21	AN4-15								Bolt—Aircraft, 10-32	(ALL)	2
102-22	106-53059								Cushion Assy—Pilot's back	(ALL)	1
	H0010								Hook (HADDON)	(ALL)	2
102-23	109-53076								Rest Assy—Pilot's head	(ALL)	1
102-24	109-71076								Support—Antenna relay support	(ALL)	1
102-25	7S4-8-7								Screw—Round head	(ALL)	4
102-26	AN365-832								Nut—Self locking	(ALL)	4

*These seats are interchangeable.
*1 Refer to T.O. 1F-51-52.

Section II
Group Assembly Parts List

AN 01-60JE-4
FURNISHINGS GROUP



126-73-119B

Figure 103—Pilot's Seat (Warren McArthur)

Revised 20 October 1954

AN 01-60JE-4
FURNISHINGS GROUP
PILOT'S SEAT (WARREN McARTHUR)

FIGURE & INDEX NUMBER	PART NUMBER	NOMENCLATURE							USAGE CODE	UNITS PER ASSY
		1	2	3	4	5	6	7		
103-1	243B-AS1	Pilot's Seat—Main assy (WARREN McARTHUR) (See figure 102-17)							(ALL)	1
103-2	243AS5	Back Assy (WARREN McARTHUR)							(ALL)	1
103-3	AN23-34A	Bolt—Clevis, 10-32							(ALL)	4
103-4	AN365-1032	Nut—Self locking							(ALL)	10
103-5	241-7	Clip—Stanchion (WARREN McARTHUR)							(ALL)	2
103-6	238-32	Bushing (WARREN McARTHUR)							(ALL)	4
103-7	AN4-17A	Bolt—Aircraft, 1/4-28							(ALL)	2
103-8	AN365-428	Nut—Self locking							(ALL)	6
103-9	245-5	Support—Side (WARREN McARTHUR)							(ALL)	2
103-10	AN24-44A	Bolt—Clevis, 1/4-28							(ALL)	2
103-11	241-37	Washer (WARREN McARTHUR)							(ALL)	2
103-12	241-34	Washer (WARREN McARTHUR)							(ALL)	2
103-13	525-10-24	Screw—Washer head							(ALL)	1
103-14	221N81	*1	Washer (WARREN McARTHUR)						(ALL)	1
103-15	221N101	*1	Washer (WARREN McARTHUR)						(ALL)	1
103-16	221-82	Spacer—Swivel (WARREN McARTHUR)							(ALL)	1
103-17	243B-AS3	Seat—Pan assy (WARREN McARTHUR)							(ALL)	1
103-18	AN24-24A	Bolt—Clevis, 1/4-28							(ALL)	2
103-19	241AS10	*1	Handle Assy—Belt lock (WARREN McARTHUR)						(ALL)	1
103-20	148-12	*1	Spring—Belt lock (WARREN McARTHUR)						(ALL)	1
103-21	241-18	*1	Tube—Belt lock (WARREN McARTHUR)						(ALL)	1
103-22	AN3-7A	Bolt—Aircraft, 10-32							(ALL)	1
103-23	AN364-1032	Nut—Self locking							(ALL)	13
103-24	241-25	Plate—Sutton handle (WARREN McARTHUR)							(ALL)	1
103-25	241-26	*1	Spacer—Handle (WARREN McARTHUR)						(ALL)	2
103-26	148-11	*1	Plate—Bolt lock (WARREN McARTHUR)						(ALL)	1
103-27	WM22-8	Screw—Aircraft (WARREN McARTHUR)							(ALL)	2
103-28	AN364-832	Nut—Self locking							(ALL)	5
103-29	148-19	*1	Link Arm—Sutton handle (WARREN McARTHUR)						(ALL)	1
103-30	WM22-5	Screw—Aircraft (WARREN McARTHUR)							(ALL)	1
103-31	148-31	*1	Spacer (WARREN McARTHUR)						(ALL)	1
103-32	241-43	Hub—Sutton handle (WARREN McARTHUR)							(ALL)	1
103-33	525-10-28	*1	Screw—Washer head						(ALL)	1
103-34	525-10-22	Screw—Washer head							(ALL)	1
103-35	243AS11	*1	Mechanism Assy—Shoulder harness (WARREN McARTHUR)						(ALL)	1
103-36	241-41	Fitting—Sutton (WARREN McARTHUR)							(ALL)	1
103-37	241AS12	Tube Assy—Plunger guide (WARREN McARTHUR)							(ALL)	1
103-38	148-35	Lock—Pin case (WARREN McARTHUR)							(ALL)	1
103-39	148-23	Spring—Release (WARREN McARTHUR)							(ALL)	1
103-40	243-16	Pin—Lock (WARREN McARTHUR)							(ALL)	1
103-41	AN316-6R	Nut—Aircraft check							(ALL)	1
103-42	AN3-14A	Bolt—Aircraft, 10-32							(ALL)	1
103-43	AN364-1032	Nut—Self locking							(ALL)	1
103-44	148-9	Spring—Plunger (WARREN McARTHUR)							(ALL)	1
103-45	241AS10	Tube Assy—Plunger (WARREN McARTHUR)							(ALL)	1
103-46	163-52	Washer—Cup (WARREN McARTHUR)							(ALL)	2
103-47	241-14	Pin—Lock elevation (WARREN McARTHUR)							(ALL)	2
103-48	162-16	Pin—Lock (WARREN McARTHUR)							(ALL)	2
103-49	241-35	Spacer Tube—Lock pin (WARREN McARTHUR)							(ALL)	2
103-50	162-62	Spring—Elevation lock (WARREN McARTHUR)							(ALL)	2
103-51	243AS8L	Bracket Elevation Assy (WARREN McARTHUR)							(ALL)	1
103-52	243AS8R	Bracket Elevation Assy (WARREN McARTHUR)							(ALL)	1
103-53	241-28L	Lift Arm—Elevator lock (WARREN McARTHUR)							(ALL)	2
	241-28R	Lift Arm—Elevator lock (WARREN McARTHUR)							(ALL)	2
103-54	AN3-17A	Bolt—Aircraft, 10-32							(ALL)	2
103-55	WM22-5	Bolt—Aircraft (WARREN McARTHUR)							(ALL)	2
103-56	241-31	*1	Link—Connection (WARREN McARTHUR)						(ALL)	1
103-57	241-29	*1	Clevis—Shoulder harness (WARREN McARTHUR)						(ALL)	1
103-58	AN340-8	Nut—Light hexagon, coarse thread							(ALL)	1
103-59	243B5	*1	Link—Connection (WARREN McARTHUR)						(ALL)	1
103-60	AN393-9	Pin—Flat head, 3/16							(ALL)	3
103-61	241AS15	*1	Swivel Assy (WARREN McARTHUR)						(ALL)	1
103-62	243AS6	Lock Tube and Lift Assy (WARREN McARTHUR)							(ALL)	1
103-63	241-22	*1	Strip—Backing clip (WARREN McARTHUR)						(ALL)	1
103-64	525-10-8	Screw—Washer head							(ALL)	2
103-65	243AS2	Handle Assy—Elevator lock (WARREN McARTHUR)							(ALL)	1
103-66	243-13	Spacer (WARREN McARTHUR)							(ALL)	1
103-67	243AS3	Link Assy—Elevator lock (WARREN McARTHUR)							(ALL)	1
103-68	AN23-30A	Bolt—Clevis, 10-32							(ALL)	1
103-69	525-10-26	Screw—Washer head							(ALL)	2
103-70	241AS8	Fitting Assy—Harness (WARREN McARTHUR)							(ALL)	1
103-71	241-39	Plate—Strap (WARREN McARTHUR)							(ALL)	1
103-72	241-38	Plate—Strap (WARREN McARTHUR)							(ALL)	1
103-73	AN3-23A	Bolt—Aircraft, 10-32							(ALL)	1
103-74	AN365-1032	Nut—Self locking							(ALL)	1
103-75	525-10-20	Screw—Washer head							(ALL)	1
103-76	241AS13L	Clip Assy—Bottom stanchion (WARREN McARTHUR)							(ALL)	1
103-77	241AS13R	Clip Assy—Bottom stanchion (WARREN McARTHUR)							(ALL)	1
103-78	AN3-21A	Bolt—Aircraft, 10-32							(ALL)	4
103-79	AN365-1032	*2	Nut—Self locking						(ALL)	6
103-80	AN960-416	*2	Washer—Plain						(ALL)	2
103-81	AN525-10-28	*2	Screw—Washer head steel						(ALL)	1
103-82	AN525-10-24	*2	Screw—Washer head steel						(ALL)	1
103-83	AN525-10-10	*2	Screw—Washer head steel						(ALL)	2
103-84	AN525-10-26	*2	Screw—Washer head steel						(ALL)	2
103-85	0-3903	*2	Reel Assy—Shoulder harness take-up inertia locking (Spec 41032) (AMERICAN SEATING)						(ALL)	1

*1 These parts not used on airplanes modified in accordance with T.O. 1F-51-52.

*2 These parts used on airplanes modified in accordance with T.O. 1F-51-52.

Section II
Group Assembly Parts List

AN 01-60JE-4
FURNISHINGS GROUP

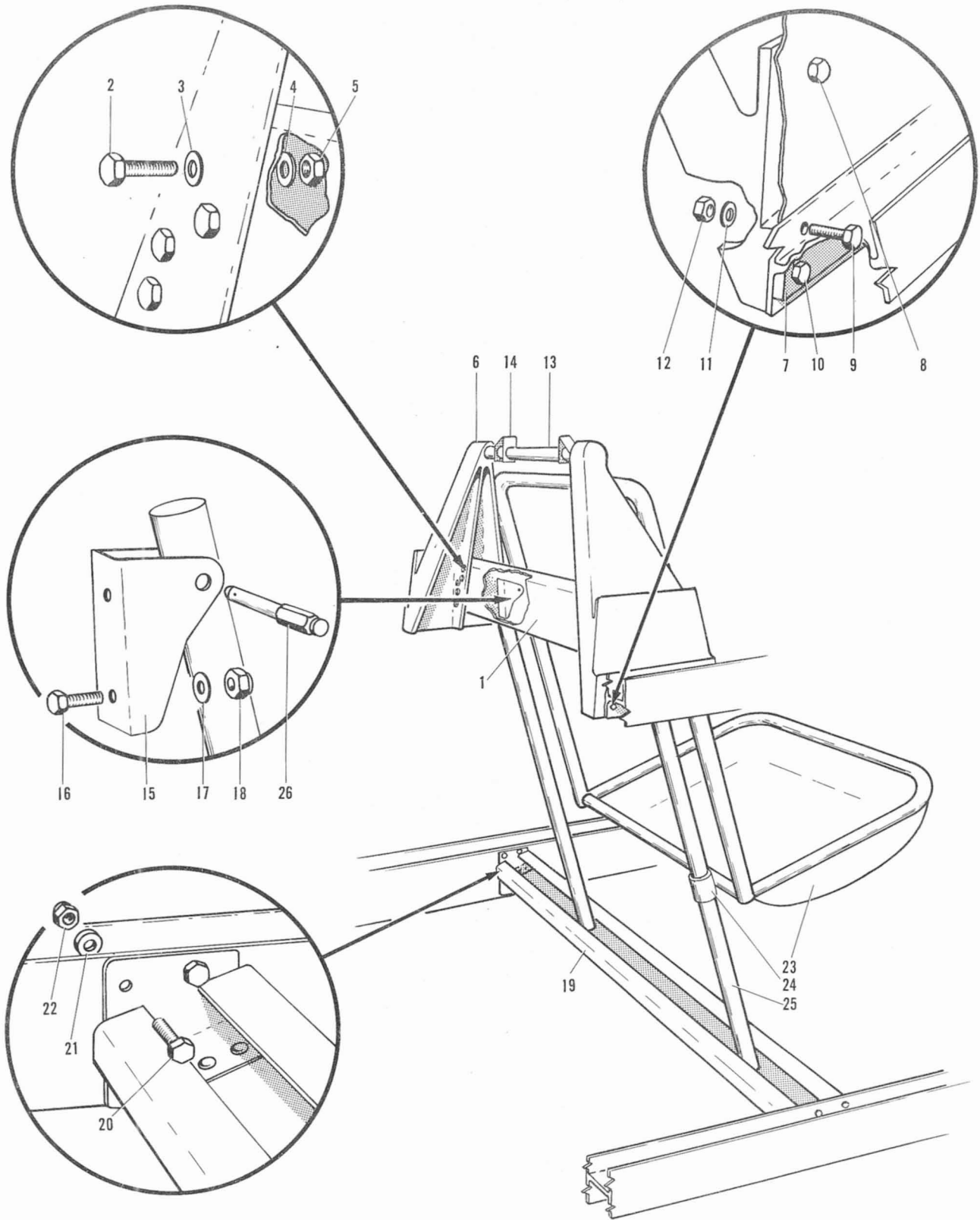


Figure 103A—Pilot's Front Seat Installation

TF-51D